

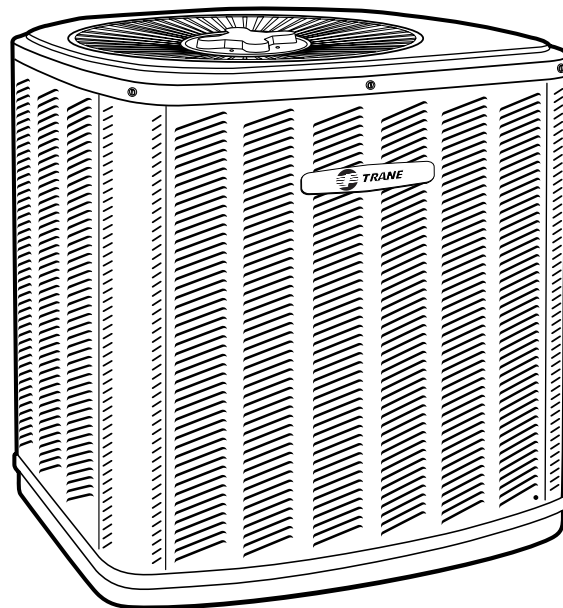


SS-PRC014-EN

Split System Cooling Product & Performance Data

2TTA0030-072A

2½ – 6 Tons



PUB. NO. 22-1740-01-0702 (EN)



General Features

Split System Cooling Units . . . The Evolution Continues

2TTA0 split systems represent a product that is not only an engineer's dream, it's also a customer's dream. The design team's mission and accomplishment is enhanced performance and efficiency, improved reliability and durability, and improved installability and serviceability.

Trane's experienced design team applied "six sigma principles", the latest computer

technology and customer research to develop the next generation of leadership products.

Couple the Trane reputation for reliability and durability with the above mentioned mission and accomplishments and you continue to have systems that prove "It's Hard to Stop a Trane®."

Contents

General Features	2
Features and Benefits	4
Optional Equipment	5
Low Outdoor Ambient Cooling	5
A.R.I. Standard Capacity Rating Conditions	5
Selection Procedure	6
Model Number Nomenclature	6
General Data	7
2TTA0030A3/4000A	7
2TTA0036A3/4000A	10
2TTA0042A3/4000A	13
2TTA0048A3/4000A	15
2TTA0060A3/4000A	17
2TTA0072A3/4000A	19
Ratings with Auxiliary Devices	20
Performance Data Cooling	22
2TTA0030A3/4	22
2TTA0036A3/4	24
2TTA0042A3/4	27
2TTA0048A3/4	29
2TTA0060A3/4	31
2TTA0072A3/4	32
Electrical Data	33
Dimensions	36
Mechanical Specification Options	37



Features and Benefits

- **Climatuff**[®] compressor
- All aluminum **Spine Fin**[™] coil
- **DuraTuff**[™] base, fast complete drain, weather proof
- **WeatherGuard**[™] fasteners
- New appearance, polystate gray color
- **Quick-Sess**[™] cabinet, service access and refrigerant connections with full coil protection
- Corrosion resistant finish
- High/low pressure & temperature protection internal to compressor
- Low pressure switch
- Liquid line filter-drier
- **Comfort "R"**[™] mode approved
- Easy single side service
- Multi-use liquid and suction line service valves
- Compressor sump heat
- Easy top & fan removal
- HCFC-22 refrigerant
- **5-year limited warranty on compressor & coil, and 1 year on parts (residential use)**
- **Extended warranties available**
- S.E.E.T. design testing
- 100% line run test
- Low ambient to 55°F as shipped
- Low ambient to 40°F with EDC accessory AY28X079
- Low ambient to 30°F with EDC accessory AY28X079 and TXV
- Low ambient cooling to 0°F with TXV and BAYLOAM103



Features and Benefits

Optional Equipment

OPTIONAL EQUIPMENT FOR CONDENSING UNITS (Check mark [✓] indicates accessories included).

Indoor Thermostats — Htg./Clg. Programmable Thermostat	TAYSTAT300C []
Electronic, 2-Stg. Htg./1 Clg.	TAYSTAT302C []
Prog., 5/2 Day, Manual, 1 Htg./1 Clg.	TAYSTAT340 []
Prog., 5/2 Day, Manual, 2 (Gas) 1 Htg./1 Clg.	TAYSTAT350 []
Electronic, 1 Htg. (Gas)/1 Clg. (Non Prog.)	TAYSTAT370 []
Electronic, 1 Htg. (Elec.)/1 Clg. (Non Prog.) ^①	TAYSTAT371 []
Electronic, 2 Htg. (Gas)/1 Clg. (Non Prog.)	TAYSTAT380 []
Manual, 2-Stg. Htg./1 Clg.	TAYSTAT241 []
Heating/Cooling — Horizontal	AY28X092 []
Cooling Only with Fan Switch	BAYSTAT304 []
Heating/Cooling — Vertical	BAYSTAT305 []
Two-Stage Heating/Cooling — Horizontal ^①	BAY28X183 []
One-Stage Heating/Cooling — Horizontal ^①	BAY28X182 []
Thermostat Locking Cover ^③	BAY28X190 []
Outdoor Thermostat	TAYSTAT250B []
Sub-base BAY28X182, 183 (Manual changeover) ^②	BAY28X185 []
Evaporator Defrost Control	AY28X079 []
Fan Delay Relay Kit	BAY24X045 []
5 Minute Delay Relay	TAYASCT501A []
Outdoor Temperature Sensor (used with TAYSTAT300C,302C)	TAYSENS100A []
Extreme Conditions Mounting Kit	BAYECMT001 []
Seacoast Kit	BAYSEAC001 []
Electronic Head Pressure Control	BAYLOAM103 []

^① Requires sub-base

^② Specifically designed for electric heat applications (instant on fan)

^③ Not for use with programmable thermostats

BRAZED TUBING REFRIGERANT LINE SETS (All Suction Lines are Insulated.)

3/4" ODM (90° bend, one end), 3/4" and 5/16" tubing	TAYREFLN2_* []
7/8" ODM (90° bend, one end), 7/8" and 3/8" tubing	TAYREFLN3_* []
1-1/8" ODM (90° bend, one end), 1-1/8" and 3/8" tubing	TAYREFLN4_* []

* Line lengths: 15, 20, 25, 30, 40 & 50 ft. Insert desired line length in catalog number at right for the complete number.
Example: TAYREFLN220

Low Outdoor Ambient Cooling

Low Ambient Cooling	As Manufactured	Evaporator Defrost Control
FCCV Accutron™	55°F	40°F
Thermal Expansion Valve (TXV)	55°F	30°F

A.R.I. Standard Capacity Rating Conditions

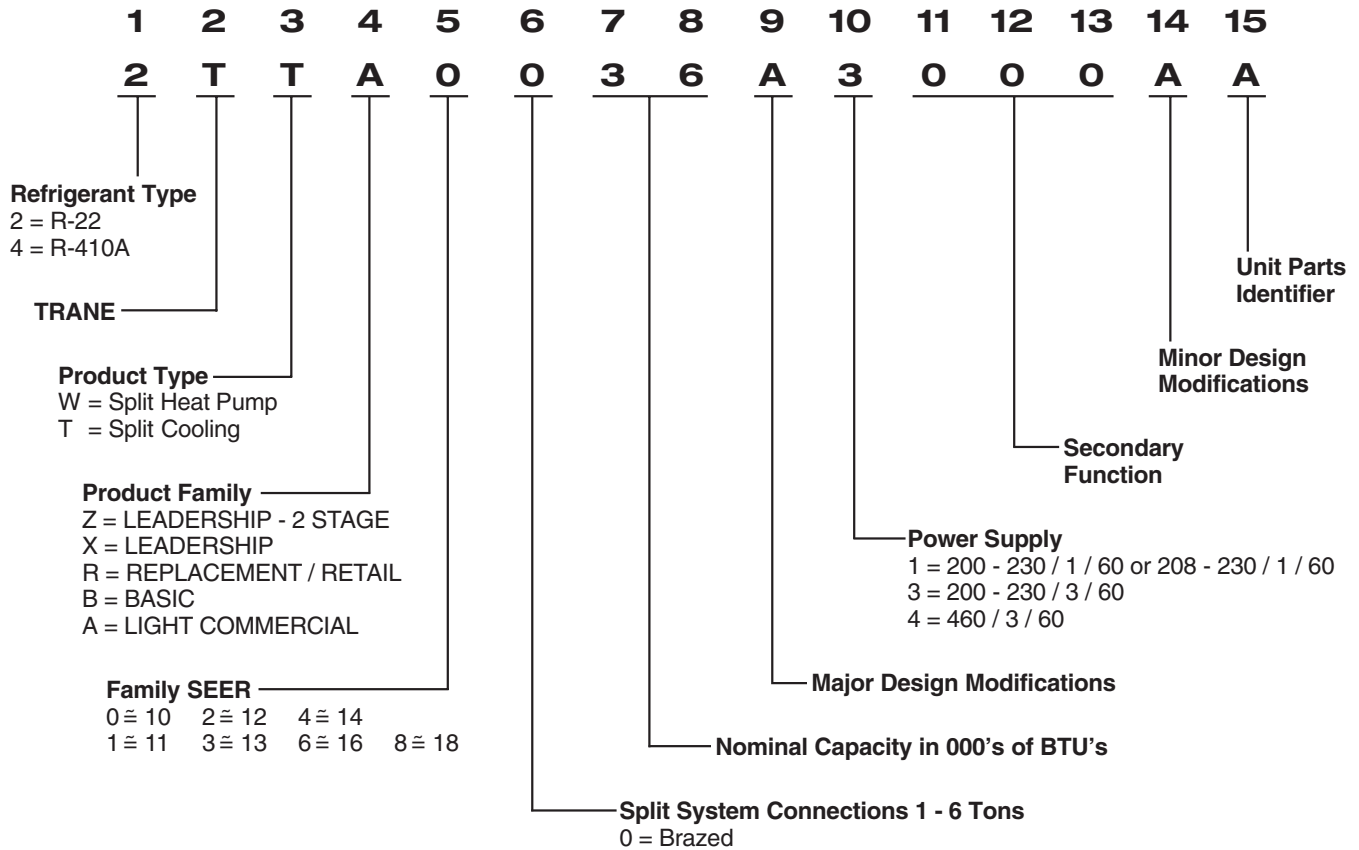
A.R.I. STANDARD 210/240 RATING CONDITIONS — (A) Cooling 80°F. D.B., 67°F. W.B. air entering indoor coil, 95°F. D.B. air entering outdoor coil. (B) High Temperature Heating 47°F. D.B., 43°F. W.B. air entering outdoor coil, 70°F. D.B. air entering indoor coil. (C) Low Temperature Heating 17°F. D.B., 15°F. W.B. air entering outdoor coil, 70°F. D.B. air entering indoor coil. (D) Rated indoor airflow for heating is the same as for cooling.

A.R.I. STANDARD 270 RATING CONDITIONS — (Noise rating numbers are determined with the unit in cooling operation.) Standard Noise Rating number is at 95°F. outdoor air.



Selection Procedure

Model Number Nomenclature





General Data

2TTA0030A3/4000A

OUTDOOR UNIT ①②	2TTA0030A3000A	2TTA0030A4000A
SOUND RATING (DECIBELS) ②	80	80
POWER CONNS. — V/PH/Hz ③	200/230/3/60	460/3/60
MIN. BRCH. CIR. CAPACITY	13	7
BR. CIR. } MAX. (AMPS)	20	15
PROT. RTG. } MIN. (AMPS)	20	15
COMPRESSOR	CLIMATUFF®	CLIMATUFF®
NO. USED - NO. SPEEDS	1 - 1	1 - 1
VOLTS/PH/Hz	200/230/3/60	460/3/60
R.L. AMPS ⑦ - L.R. AMPS	9.8 - 7.4	5.2 - 3.8
FACTORY INSTALLED		
START COMPONENTS ⑥	NO	NO
INSULATION/SOUND BLANKET	NO	NO
COMPRESSOR HEAT	YES	YES
OUTDOOR FAN — TYPE	PROPELLER	PROPELLER
DIA. (IN.) - NO. USED	19 - 1	19 - 1
TYPE DRIVE - NO. SPEEDS	DIRECT - 1	DIRECT - 1
CFM @ 0.0 IN. W.G. ④	2550	2550
NO. MOTORS - HP.	1 - 1/8	1 - 1/8
MOTOR SPEED R.P.M.	1075	1075
VOLTS/PH/Hz	200/230/3/60	460/3/60
F.L. AMPS	0.95	0.5
OUTDOOR COIL — TYPE	SPINE FIN™	SPINE FIN™
ROWS - F.P.I.	1 - 24	1 - 24
FACE AREA (SQ. FT.)	9.72	9.72
TUBE SIZE (IN.)	3/8	3/8
REFRIGERANT	R-22	R-22
(O.D. UNIT) NP CHR.G. ⑤	4/03-LB/OZ	4/03-LB/OZ
FACTORY SUPPLIED	YES	YES
LINE SIZE - IN. O.D. GAS ⑥	3/4	3/4
LINE SIZE - IN. O.D. LIQ. ⑥	5/16	5/16
FCCV		
RESTRICTOR ORIFICE SIZE	0.065	0.065
DIMENSIONS	H X W X D	H X W X D
OUTDOOR UNIT CRATED (IN.)	30.1 X 26.7 X 30.2	30.1 X 26.7 X 30.2
UNCRATED	SEE OUTLINE DWG.	SEE OUTLINE DWG.
WEIGHT		
SHIPPING (LBS.)	175	175
NET (LBS.)	156	156

- ① CERTIFIED IN ACCORDANCE WITH THE UNITARY AIR-CONDITIONER EQUIPMENT CERTIFICATION PROGRAM WHICH IS BASED ON A.R.I. STANDARD 210/240.
- ② RATED IN ACCORDANCE WITH A.R.I. STANDARD 270/SECTION 5.3.6.
- ③ CALCULATED IN ACCORDANCE WITH NATIONAL ELECTRIC CODE. ONLY USE HACR CIRCUIT BREAKERS OR FUSES.
- ④ STANDARD AIR - DRY COIL - OUTDOOR
- ⑤ THIS VALUE APPROXIMATE. FOR MORE PRECISE VALUE SEE UNIT NAMEPLATE AND SERVICE INSTRUCTION.
- ⑥ MAX. LINEAR LENGTH: 80 FT WITH RECIPROCATING COMPRESSOR - 60 FT WITH SCROLL. MAX. LIFT - SUCTION 60 FT; MAX LIFT - LIQUID 60 FT. FOR GREATER LENGTH REFER TO REFRIGERANT PIPING SOFTWARE PUB. NO. 32-3312-01.
- ⑦ THE VALUE SHOWN FOR COMPRESSOR RLA ON THE UNIT NAMEPLATE AND ON THIS SPECIFICATION SHEET IS USED TO COMPUTE MINIMUM BRANCH CIRCUIT AMPACITY AND MAXIMUM FUSE SIZE. THE VALUE SHOWN IS THE BRANCH CIRCUIT SELECTION CURRENT.
- ⑧ NO MEANS NO START COMPONENTS
YES MEANS QUICK START KIT COMPONENTS
PTC MEANS POSITIVE TEMPERATURE COEFFICIENT STARTER.



SPLIT SYSTEM

CONDENSING UNIT WITH COOLING COILS

	CCBA30A44C	CUBA30A44C	CUBB30A44C	TXA025C4	TXA030C4	TXA031C4	TXA035C4
EXPANSION TYPE	FIXED ORIFICE	FIXED ORIFICE	FIXED ORIFICE	CHG TO 65	CHG TO 65	CHG TO 65	CHG TO 65
RATINGS (COOLING) ①							
BTUH (TOTAL)	28800	28800	30000	29200	30200	29600	30600
BTUH (SENSIBLE)	20300	20300	21700	20400	21600	21300	22600
INDOOR AIRFLOW (CFM)	950	950	1000	900	1000	1000	1100
SYSTEM POWER (KW)	3.15	3.15	3.21	3.14	3.23	3.31	3.29
ERR/SEER (BTU/WATT-HR.)	9.15/10.00	9.15/10.00	9.35/10.25	9.30/10.25	9.35/10.25	8.95/10.00	9.30/10.25

	TXA036C4	TXC025C4	TXC025D4	TXC030C4	TXC030D4	TXC031C4	TXC031D4
EXPANSION TYPE	CHG TO 65	CHG TO 65	CHG TO 65	CHG TO 65	CHG TO 65	CHG TO 65	CHG TO 65
RATINGS (COOLING) ①							
BTUH (TOTAL)	31400	29200	29200	30200	30200	29600	29600
BTUH (SENSIBLE)	23300	20400	20400	21600	21600	21300	21300
INDOOR AIRFLOW (CFM)	1125	900	900	1000	1000	1000	1000
SYSTEM POWER (KW)	3.34	3.14	3.14	3.23	3.23	3.31	3.31
ERR/SEER (BTU/WATT-HR.)	9.40/10.25	9.30/10.25	9.30/10.25	9.35/10.25	9.35/10.25	8.95/10.00	8.95/10.00

	TXC031S3	TXC035C4	TXC035D4	TXC036C4	TXC036D4	TXC036S3	TXC037C4
EXPANSION TYPE	TXV-NB	CHG TO 65	CHG TO 65	CHG TO 65	CHG TO 65	TXV-NB	CHG TO 65
RATINGS (COOLING) ①							
BTUH (TOTAL)	31000	30600	30600	31400	31400	32200	31400
BTUH (SENSIBLE)	22400	22600	22600	23300	23300	24300	23300
INDOOR AIRFLOW (CFM)	1000	1100	1100	1125	1125	1125	1125
SYSTEM POWER (KW)	3.25	3.29	3.29	3.34	3.34	3.35	3.34
ERR/SEER (BTU/WATT-HR.)	9.55/11.00	9.30/10.25	9.30/10.25	9.40/10.25	9.40/10.25	9.60/11.00	9.40/10.25

*See page 20 for combinations with Auxiliary Devices.



General Data

2TTA0030A3/4000A

CONDENSING UNIT WITH COOLING COILS

	TXC037S3	TXH025A4	TXH033A4	TXH041A4
EXPANSION TYPE	TXV-NB	CHG TO 65	CHG TO 65	CHG TO 65
RATINGS (COOLING) ①				
BTUH (TOTAL)	32200	28800	30200	32200
BTUH (SENSIBLE)	24300	20000	22400	24300
INDOOR AIRFLOW (CFM)	1125	900	1000	1125
SYSTEM POWER (KW)	3.35	3.11	3.23	3.37
ERR/SEER (BTU/WATT-HR.)	9.60/11.00	9.25/10.25	9.35/10.25	9.55/10.25

CONDENSING UNIT WITH AIR HANDLERS

	TVF024A14	TVF025A14	TVF030A14	TVF036A14	TWE024C14	TWE024P13	TWE030C14
EXPANSION TYPE	CHG TO 65	CHG TO 65	CHG TO 65	CHG TO 65	CHG TO 65	TXV-NB	CHG TO 65
RATINGS (COOLING) ①							
BTUH (TOTAL)	29200	30000	31200	32000	28200	30000	29600
BTUH (SENSIBLE)	19800	21400	23000	24400	19300	21200	20900
INDOOR AIRFLOW (CFM)	775	900	1000	1125	900	900	945
SYSTEM POWER (KW)	3.09	3.19	3.25	3.39	3.07	3.16	3.13
ERR/SEER (BTU/WATT-HR.)	9.45/10.50	9.40/10.50	9.60/10.50	9.45/10.50	9.20/10.25	9.50/10.75	9.45/10.50

	TWE030P13	TWE031E13	TWE036C14	TWE036P13	TWE037E13	TWE040E13	TWE042P13
EXPANSION TYPE	TXV-NB	TXV-NB	CHG TO 65	TXV-NB	TXV-NB	TXV-NB	TXV-NB
RATINGS (COOLING) ①							
BTUH (TOTAL)	30400	31000	31400	31200	31600	33200	32000
BTUH (SENSIBLE)	21800	22900	23800	23300	23000	24700	24100
INDOOR AIRFLOW (CFM)	940	1020	1125	1125	1000	1010	1125
SYSTEM POWER (KW)	3.15	3.12	3.32	3.30	3.05	3.12	3.35
ERR/SEER (BTU/WATT-HR.)	9.65/11.00	9.95/11.25	9.45/10.50	9.45/10.75	10.35/11.50	10.65/11.50	9.55/11.00

	TWG025A14	TWG030A14	TWG036A14
EXPANSION TYPE	CHG TO 65	CHG TO 65	CHG TO 65
RATINGS (COOLING) ①			
BTUH (TOTAL)	29200	29800	31000
BTUH (SENSIBLE)	20800	21700	23500
INDOOR AIRFLOW (CFM)	900	1000	1125
SYSTEM POWER (KW)	3.07	3.17	3.30
ERR/SEER (BTU/WATT-HR.)	9.50/10.50	9.40/10.50	9.40/10.50

CONDENSING UNIT WITH FURNACES AND COILS

	TDD060R9V3 +TXC031S3	TDD060R9V3 +TXC036S3	TDD080R9V3 +TXC031S3	TDD080R9V3 +TXC036S3	TDY060R9V3 +TXC031S3	TDY060R9V3 +TXC036S3	TDY080R9V3 +TXC031S3
EXPANSION TYPE	TXV-NB	TXV-NB	TXV-NB	TXV-NB	TXV-NB	TXV-NB	TXV-NB
RATINGS (COOLING) ①							
BTUH (TOTAL)	31600	32200	31400	32000	31000	31600	30800
BTUH (SENSIBLE)	23000	23500	22400	22900	21700	22100	21500
INDOOR AIRFLOW (CFM)	1000	1000	945	945	880	875	875
SYSTEM POWER (KW)	3.11	3.13	3.08	3.08	3.04	3.05	3.06
ERR/SEER (BTU/WATT-HR.)	10.15/11.50	10.30/11.50	10.20/11.50	10.40/11.50	10.20/11.50	10.35/11.50	10.05/11.50

	TDY080R9V3 +TXC036S3	TUD060R9V3 +TXC031S3	TUD060R9V3 +TXC036S3	TUD080R9V3 +TXC031S3	TUD080R9V3 +TXC036S3	TUY060R9V3 +TXC031S3	TUY060R9V3 +TXC036S3
EXPANSION TYPE	TXV-NB	TXV-NB	TXV-NB	TXV-NB	TXV-NB	TXV-NB	TXV-NB
RATINGS (COOLING) ①							
BTUH (TOTAL)	31600	31600	32200	31600	32200	31000	31600
BTUH (SENSIBLE)	22000	23300	23600	23000	23500	21600	22000
INDOOR AIRFLOW (CFM)	875	1050	1020	1000	1000	875	875
SYSTEM POWER (KW)	3.08	3.18	3.17	3.13	3.11	3.07	3.08
ERR/SEER (BTU/WATT-HR.)	10.25/11.50	9.95/11.25	10.15/11.50	10.10/11.50	10.35/11.50	10.10/11.50	10.25/11.50

*See page 20 for combinations with Auxiliary Devices.



General Data

2TTA0030A3/4000A

CONDENSING UNIT WITH FURNACES AND COILS

	TUY080R9V3 +TXC031S3	TUY080R9V3 +TXC036S3
EXPANSION TYPE	TXV-NB	TXV-NB
RATINGS (COOLING) ①		
BTUH (TOTAL)	30800	31400
BTUH (SENSIBLE)	21400	21800
INDOOR AIRFLOW (CFM)	860	860
SYSTEM POWER (KW)	3.03	3.03
ERR/SEER (BTU/WATT-HR.)	10.15/11.50	10.35/11.50

*See page 20 for combinations with Auxiliary Devices.



General Data

2TTA0036A3/4000A

OUTDOOR UNIT ①②	2TTA0036A3000A	2TTA0036A4000A
SOUND RATING (DECIBELS) ②	79	79
POWER CONNS. — V/PH/HZ ③	200/230/3/60	460/3/60
MIN. BRCH. CIR. AMPACITY	15	8
BR. CIR. } MAX. (AMPS)	25	15
PROT. RTG. } MIN. (AMPS)	20	15
COMPRESSOR	CLIMATUFF®	CLIMATUFF®
NO. USED - NO. SPEEDS	1 - 1	1 - 1
VOLTS/PH/HZ	200/230/3/60	460/3/60
R.L. AMPS ⑦ - L.R. AMPS	11.3 - 74	5.7 - 38
FACTORY INSTALLED		
START COMPONENTS ⑥	NO	NO
INSULATION/SOUND BLANKET	NO	NO
COMPRESSOR HEAT	YES	YES
OUTDOOR FAN — TYPE	PROPELLER	PROPELLER
DIA. (IN.) - NO. USED	19 - 1	19 - 1
TYPE DRIVE - NO. SPEEDS	DIRECT - 1	DIRECT - 1
CFM @ 0.0 IN. W.G. ④	2500	2500
NO. MOTORS - HP.	1 - 1/4	1 - 1/4
MOTOR SPEED R.P.M.	1075	1075
VOLTS/PH/HZ	200/230/3/60	460/3/60
F.L. AMPS	1.3	0.6
OUTDOOR COIL — TYPE	SPINE FIN™	SPINE FIN™
ROWS - F.P.I.	1 - 24	1 - 24
FACE AREA (SQ. FT.)	9.72	9.72
TUBE SIZE (IN.)	3/8	3/8
REFRIGERANT	R-22	R-22
(O.D. UNIT) NP CHR.G. ⑤	4/09-LB/OZ	4/09-LB/OZ
FACTORY SUPPLIED	YES	YES
LINE SIZE - IN. O.D. GAS ⑥	7/8	7/8
LINE SIZE - IN. O.D. LIQ. ⑥	3/8	3/8
FCCV		
RESTRICTOR ORIFICE SIZE	0.073	0.073
DIMENSIONS	H X W X D	H X W X D
OUTDOOR UNIT CRATED (IN.)	30.1 X 26.7 X 30.2	30.1 X 26.7 X 30.2
UNCRATED	SEE OUTLINE DWG.	SEE OUTLINE DWG.
WEIGHT		
SHIPPING (LBS.)	179	179
NET (LBS.)	160	160

- ① CERTIFIED IN ACCORDANCE WITH THE UNITARY AIR-CONDITIONER EQUIPMENT CERTIFICATION PROGRAM WHICH IS BASED ON A.R.I. STANDARD 210/240.
- ② RATED IN ACCORDANCE WITH A.R.I. STANDARD 270/SECTION 5.3.6.
- ③ CALCULATED IN ACCORDANCE WITH NATIONAL ELECTRIC CODE. ONLY USE HACR CIRCUIT BREAKERS OR FUSES.
- ④ STANDARD AIR - DRY COIL - OUTDOOR
- ⑤ THIS VALUE APPROXIMATE. FOR MORE PRECISE VALUE SEE UNIT NAMEPLATE AND SERVICE INSTRUCTION.
- ⑥ MAX. LINEAR LENGTH: 80 FT WITH RECIPROCATING COMPRESSOR - 60 FT WITH SCROLL. MAX. LIFT - SUCTION 60 FT; MAX LIFT - LIQUID 60 FT. FOR GREATER LENGTH REFER TO REFRIGERANT PIPING SOFTWARE PUB. NO. 32-3312-01.
- ⑦ THE VALUE SHOWN FOR COMPRESSOR RLA ON THE UNIT NAMEPLATE AND ON THIS SPECIFICATION SHEET IS USED TO COMPUTE MINIMUM BRANCH CIRCUIT AMPACITY AND MAXIMUM FUSE SIZE. THE VALUE SHOWN IS THE BRANCH CIRCUIT SELECTION CURRENT.
- ⑧ NO MEANS NO START COMPONENTS
YES MEANS QUICK START KIT COMPONENTS
PTC MEANS POSITIVE TEMPERATURE COEFFICIENT STARTER.



SPLIT SYSTEM

CONDENSING UNIT WITH COOLING COILS

	CCBA36A4AC	CCBB36A4AC	CUBA36A4AC	CUBB36A4AC	CUBC36A4AC	TXA030C4	TXA031C4
EXPANSION TYPE	FIXED ORIFICE	FIXED ORIFICE	FIXED ORIFICE	FIXED ORIFICE	FIXED ORIFICE	CHG TO 73	CHG TO 73
RATINGS (COOLING) ①							
BTUH (TOTAL)	34800	35000	34800	35000	35000	34600	34800
BTUH (SENSIBLE)	24400	24600	24400	24600	24600	24300	24600
INDOOR AIRFLOW (CFM)	1100	1100	1100	1100	1100	1100	1100
SYSTEM POWER (KW)	3.68	3.68	3.68	3.68	3.68	3.68	3.68
ERR/SEER (BTU/WATT-HR.)	9.45/10.25	9.50/10.25	9.45/10.25	9.50/10.25	9.50/10.25	9.40/10.25	9.45/10.25

	TXA035C4	TXA036C4	TXA037C4	TXA042C4	TXA043C4	TXC030C4	TXC030D4
EXPANSION TYPE	CHG TO 73	CHG TO 73	CHG TO 73	CHG TO 73	CHG TO 73	CHG TO 73	CHG TO 73
RATINGS (COOLING) ①							
BTUH (TOTAL)	34600	35400	35400	36600	37200	34600	34600
BTUH (SENSIBLE)	24300	25500	25500	26300	27800	24300	24300
INDOOR AIRFLOW (CFM)	1100	1200	1200	1200	1350	1100	1100
SYSTEM POWER (KW)	3.68	3.83	3.83	3.81	3.90	3.68	3.68
ERR/SEER (BTU/WATT-HR.)	9.40/10.25	9.25/10.25	9.25/10.25	9.60/10.50	9.55/10.50	9.40/10.25	9.40/10.25

	TXC031C4	TXC031D4	TXC031S3	TXC035C4	TXC035D4	TXC036C4	TXC036D4
EXPANSION TYPE	CHG TO 73	CHG TO 73	TXV-NB	CHG TO 73	CHG TO 73	CHG TO 73	CHG TO 73
RATINGS (COOLING) ①							
BTUH (TOTAL)	34800	34800	36400	34600	34600	35400	35400
BTUH (SENSIBLE)	24600	24600	25800	24300	24300	25500	25500
INDOOR AIRFLOW (CFM)	1305	1100	1110	1100	1100	1200	1200
SYSTEM POWER (KW)	3.80	3.68	3.75	3.68	3.68	3.83	3.83
ERR/SEER (BTU/WATT-HR.)	9.15/10.25	9.45/10.25	9.70/11.00	9.40/10.25	9.40/10.25	9.25/10.25	9.25/10.25

*See page 20 for combinations with Auxiliary Devices.



General Data

2TTA0036A3/4000A

CONDENSING UNIT WITH COOLING COILS

	TXC036S3	TXC037C4	TXC037S3	TXC042C4	TXC043C4	TXH033A4	TXH041A4
EXPANSION TYPE	TXV-NB	CHG TO 73	TXV-NB	CHG TO 73	CHG TO 73	CHG TO 73	CHG TO 73
RATINGS (COOLING) ①							
BTUH (TOTAL)	37400	35400	37400	36600	37200	34600	37800
BTUH (SENSIBLE)	27200	25500	27200	26300	27800	25500	28700
INDOOR AIRFLOW (CFM)	1200	1200	1200	1200	1350	1125	1350
SYSTEM POWER (KW)	3.84	3.83	3.84	3.81	3.90	3.68	3.92
ERR/SEER (BTU/WATT-HR.)	9.75/11.00	9.25/10.25	9.75/11.00	9.60/10.50	9.55/10.50	9.40/10.25	9.65/10.50

CONDENSING UNIT WITH AIR HANDLERS

	TVF030A14	TVF036A14	TWE030C14	TWE030P13	TWE031E13	TWE036C14	TWE036P13
EXPANSION TYPE	CHG TO 73	CHG TO 73	CHG TO 73	TXV-NB	TXV-NB	CHG TO 73	TXV-NB
RATINGS (COOLING) ①							
BTUH (TOTAL)	35600	36800	33400	34800	36000	36000	36200
BTUH (SENSIBLE)	26000	27100	22600	23700	26600	26300	26100
INDOOR AIRFLOW (CFM)	1125	1200	945	940	1220	1200	1200
SYSTEM POWER (KW)	3.75	3.83	3.53	3.57	3.71	3.77	3.77
ERR/SEER (BTU/WATT-HR.)	9.50/10.50	9.60/10.50	9.45/10.50	9.75/11.00	9.70/11.00	9.55/10.50	9.60/11.00

	TWE037E13	TWE040E13	TWE042C14	TWE042P13	TWG030A14	TWG036A14	TWG037A14
EXPANSION TYPE	TXV-NB	TXV-NB	CHG TO 73	TXV-NB	CHG TO 73	CHG TO 73	CHG TO 73
RATINGS (COOLING) ①							
BTUH (TOTAL)	37000	39000	37200	37600	34400	35000	35400
BTUH (SENSIBLE)	26800	29100	28300	28500	24600	25300	26000
INDOOR AIRFLOW (CFM)	1160	1200	1350	1350	1100	1150	1200
SYSTEM POWER (KW)	3.61	3.68	3.90	3.90	3.64	3.78	3.71
ERR/SEER (BTU/WATT-HR.)	10.25/11.50	10.60/11.50	9.55/10.50	9.65/11.00	9.45/10.50	9.25/10.25	9.55/10.50

	TWG042A14
EXPANSION TYPE	CHG TO 73
RATINGS (COOLING) ①	
BTUH (TOTAL)	35800
BTUH (SENSIBLE)	26700
INDOOR AIRFLOW (CFM)	1340
SYSTEM POWER (KW)	3.77
ERR/SEER (BTU/WATT-HR.)	9.50/10.50

CONDENSING UNIT WITH FURNACES AND COILS

	TDD060R9V3 +TXC031S3	TDD060R9V3 +TXC036S3	TDD080R9V3 +TXC031S3	TDD080R9V3 +TXC036S3	TDD100R9V5 +TXC037S3	TDY060R9V3 +TXC031S3	TDY060R9V3 +TXC036S3
EXPANSION TYPE	TXV-NB	TXV-NB	TXV-NB	TXV-NB	TXV-NB	TXV-NB	TXV-NB
RATINGS (COOLING) ①							
BTUH (TOTAL)	37000	37800	36800	37600	38000	36600	37200
BTUH (SENSIBLE)	26900	27600	26200	27000	27700	25900	26300
INDOOR AIRFLOW (CFM)	1200	1200	1120	1130	1180	1090	1085
SYSTEM POWER (KW)	3.74	3.74	3.66	3.67	3.62	3.64	3.65
ERR/SEER (BTU/WATT-HR.)	9.90/11.25	10.10/11.50	10.05/11.50	10.25/11.50	10.50/11.50	10.05/11.25	10.20/11.50

	TDY080R9V3 +TXC031S3	TDY080R9V3 +TXC036S3	TDY100R9V4 +TXC037S3	TUD060R9V3 +TXC031S3	TUD060R9V3 +TXC036S3	TUD080R9V3 +TXC031S3	TUD080R9V3 +TXC036S3
EXPANSION TYPE	TXV-NB	TXV-NB	TXV-NB	TXV-NB	TXV-NB	TXV-NB	TXV-NB
RATINGS (COOLING) ①							
BTUH (TOTAL)	36200	37000	37200	37000	37600	37000	37600
BTUH (SENSIBLE)	25200	25800	26000	26900	27400	26900	27400
INDOOR AIRFLOW (CFM)	1050	1050	1050	1200	1200	1200	1200
SYSTEM POWER (KW)	3.68	3.68	3.61	3.76	3.76	3.74	3.78
ERR/SEER (BTU/WATT-HR.)	9.85/11.00	10.05/11.25	10.30/11.50	9.85/11.00	10.00/11.25	9.90/11.25	9.95/11.25

*See page 20 for combinations with Auxiliary Devices.



General Data

2TTA0036A3/4000A

CONDENSING UNIT WITH FURNACES AND COILS

	TUD100R9V5 +TXC037S3	TUY060R9V3 +TXC031S3	TUY060R9V3 +TXC036S3	TUY080R9V3 +TXC031S3	TUY080R9V3 +TXC036S3	TUY100R9V4 +TXC037S3
EXPANSION TYPE	TXV-NB	TXV-NB	TXV-NB	TXV-NB	TXV-NB	TXV-NB
RATINGS (COOLING) ①						
BTUH (TOTAL)	38000	36400	37000	36400	37000	37400
BTUH (SENSIBLE)	27800	25400	25900	25400	25800	26300
INDOOR AIRFLOW (CFM)	1200	1050	1050	1040	1040	1060
SYSTEM POWER (KW)	3.64	3.64	3.63	3.60	3.61	3.56
ERR/SEER (BTU/WATT-HR.)	10.45/11.50	10.00/11.25	10.20/11.50	10.10/11.50	10.25/11.50	10.50/11.50

*See page 20 for combinations with Auxiliary Devices.



General Data

2TTA0042A3/4000A

OUTDOOR UNIT ①②	2TTA0042A3000A	2TTA0042A4000A
SOUND RATING (DECIBELS) ②	83	83
POWER CONNS. — V/PH/Hz ③	200/230/3/60	460/3/60
MIN. BRCH. CIR. CAPACITY	18	9
BR. CIR. } MAX. (AMPS)	30	15
PROT. RTG. } MIN. (AMPS)	30	15
COMPRESSOR	CLIMATUFF®	CLIMATUFF®
NO. USED - NO. SPEEDS	1 - 1	1 - 1
VOLTS/PH/Hz	200/230/3/60	460/3/60
R.L. AMPS ⑦ - L.R. AMPS	13.2 - 101	6.5 - 51
FACTORY INSTALLED		
START COMPONENTS ⑥	NO	NO
INSULATION/SOUND BLANKET	NO	NO
COMPRESSOR HEAT	YES	YES
OUTDOOR FAN — TYPE	PROPELLER	PROPELLER
DIA. (IN.) - NO. USED	19 - 1	19 - 1
TYPE DRIVE - NO. SPEEDS	DIRECT - 1	DIRECT - 1
CFM @ 0.0 IN. W.G. ④	2475	2475
NO. MOTORS - HP.	1 - 1/4	1 - 1/4
MOTOR SPEED R.P.M.	1075	1075
VOLTS/PH/Hz	200/230/3/60	460/3/60
F.L. AMPS	1.3	0.6
OUTDOOR COIL — TYPE	SPINE FIN™	SPINE FIN™
ROWS - F.P.I.	1 - 24	1 - 24
FACE AREA (SQ. FT.)	11.32	11.32
TUBE SIZE (IN.)	3/8	3/8
REFRIGERANT	R-22	R-22
(O.D. UNIT) NP CHR.G. ⑤	5/15-LB/OZ	5/15-LB/OZ
FACTORY SUPPLIED	YES	YES
LINE SIZE - IN. O.D. GAS ⑥	7/8	7/8
LINE SIZE - IN. O.D. LIQ. ⑥	3/8	3/8
FCCV		
RESTRICTOR ORIFICE SIZE	0.075	0.075
DIMENSIONS	H X W X D	H X W X D
OUTDOOR UNIT CRATED (IN.)	33.2 X 26.7 X 30.2	33.2 X 26.7 X 30.2
UNCRATED	SEE OUTLINE DWG.	SEE OUTLINE DWG.
WEIGHT		
SHIPPING (LBS.)	211	211
NET (LBS.)	191	191

- ① CERTIFIED IN ACCORDANCE WITH THE UNITARY AIR-CONDITIONER EQUIPMENT CERTIFICATION PROGRAM WHICH IS BASED ON A.R.I. STANDARD 210/240.
- ② RATED IN ACCORDANCE WITH A.R.I. STANDARD 270/SECTION 5.3.6.
- ③ CALCULATED IN ACCORDANCE WITH NATIONAL ELECTRIC CODE. ONLY USE HACR CIRCUIT BREAKERS OR FUSES.
- ④ STANDARD AIR - DRY COIL - OUTDOOR
- ⑤ THIS VALUE APPROXIMATE. FOR MORE PRECISE VALUE SEE UNIT NAMEPLATE AND SERVICE INSTRUCTION.
- ⑥ MAX. LINEAR LENGTH: 80 FT WITH RECIPROCATING COMPRESSOR - 60 FT WITH SCROLL. MAX. LIFT - SUCTION 60 FT; MAX LIFT - LIQUID 60 FT. FOR GREATER LENGTH REFER TO REFRIGERANT PIPING SOFTWARE PUB. NO. 32-3312-01.
- ⑦ THE VALUE SHOWN FOR COMPRESSOR RLA ON THE UNIT NAMEPLATE AND ON THIS SPECIFICATION SHEET IS USED TO COMPUTE MINIMUM BRANCH CIRCUIT AMPACITY AND MAXIMUM FUSE SIZE. THE VALUE SHOWN IS THE BRANCH CIRCUIT SELECTION CURRENT.
- ⑧ NO MEANS NO START COMPONENTS
YES MEANS QUICK START KIT COMPONENTS
PTC MEANS POSITIVE TEMPERATURE COEFFICIENT STARTER.



SPLIT SYSTEM

CONDENSING UNIT WITH COOLING COILS

	CCBB42A4AC	CUBB42A4AC	CUBC42A4AC	TXA036C4	TXA037C4	TXA042C4	TXA043C4
EXPANSION TYPE	FIXED ORIFICE	FIXED ORIFICE	FIXED ORIFICE	CHG TO 75	CHG TO 75	CHG TO 75	CHG TO 75
RATINGS (COOLING) ①							
BTUH (TOTAL)	40000	40000	40000	41000	41500	41500	41500
BTUH (SENSIBLE)	27600	27600	27600	28200	29500	28400	29800
INDOOR AIRFLOW (CFM)	1200	1200	1200	1200	1350	1200	1400
SYSTEM POWER (KW)	4.10	4.10	4.10	4.16	4.23	4.19	4.35
ERR/SEER (BTU/WATT-HR.)	9.75/10.25	9.75/10.25	9.75/10.25	9.85/10.25	9.80/10.25	9.90/10.25	9.55/10.25

	TXA048C4	TXC036C4	TXC036D4	TXC036S3	TXC037C4	TXC037S3	TXC042C4
EXPANSION TYPE	CHG TO 75	CHG TO 75	CHG TO 75	TXV-NB	CHG TO 75	TXV-NB	CHG TO 75
RATINGS (COOLING) ①							
BTUH (TOTAL)	43000	41000	41000	42500	41500	43000	41500
BTUH (SENSIBLE)	30600	28200	28200	30200	29500	31000	28400
INDOOR AIRFLOW (CFM)	1350	1200	1200	1280	1350	1350	1200
SYSTEM POWER (KW)	4.32	4.16	4.16	4.23	4.23	4.28	4.19
ERR/SEER (BTU/WATT-HR.)	9.95/10.25	9.85/10.25	9.85/10.25	10.05/11.00	9.80/10.25	10.05/11.00	9.90/10.25

	TXC043C4	TXC048C4	TXC054S3	TXH041A4	TXH054A4
EXPANSION TYPE	CHG TO 75	CHG TO 75	TXV-NB	CHG TO 75	CHG TO 75
RATINGS (COOLING) ①					
BTUH (TOTAL)	41500	43000	43500	43500	46000
BTUH (SENSIBLE)	29800	30600	32600	31700	35400
INDOOR AIRFLOW (CFM)	1400	1350	1575	1400	1575
SYSTEM POWER (KW)	4.35	4.32	4.39	4.37	4.58
ERR/SEER (BTU/WATT-HR.)	9.55/10.25	9.95/10.25	9.90/11.00	9.95/10.50	10.05/11.00

*See page 21 for combinations with Auxiliary Devices.



General Data

2TTA0042A3/4000A

CONDENSING UNIT WITH AIR HANDLERS

	TVF036A14	TWE036C14	TWE036P13	TWE037E13	TWE040E13	TWE042C14	TWE042P13
EXPANSION TYPE	CHG TO 75	CHG TO 75	TXV-NB	TXV-NB	TXV-NB	CHG TO 75	TXV-NB
RATINGS (COOLING) ①							
BTUH (TOTAL)	42500	41500	41000	42000	44500	42500	43000
BTUH (SENSIBLE)	31000	30000	29300	30300	33500	31000	31400
INDOOR AIRFLOW (CFM)	1350	1350	1350	1350	1425	1400	1400
SYSTEM POWER (KW)	4.43	4.30	4.25	4.12	4.20	4.31	4.30
ERR/SEER (BTU/WATT-HR.)	9.60/10.50	9.65/10.50	9.65/11.00	10.20/11.50	10.60/11.50	9.85/10.50	10.00/11.00

	TWE048C14	TWE048P13	TWE049E13	TWG036A14	TWG037A14	TWG042A14	TWG048A14
EXPANSION TYPE	CHG TO 75	TXV-NB	TXV-NB	CHG TO 75	CHG TO 75	CHG TO 75	CHG TO 75
RATINGS (COOLING) ①							
BTUH (TOTAL)	44000	46000	45500	39500	40000	41000	44000
BTUH (SENSIBLE)	33300	35400	33700	27300	28600	29400	33300
INDOOR AIRFLOW (CFM)	1575	1575	1400	1150	1275	1400	1575
SYSTEM POWER (KW)	4.49	4.47	4.23	4.14	4.12	4.21	4.42
ERR/SEER (BTU/WATT-HR.)	9.80/10.50	10.30/11.00	10.75/11.50	9.55/10.50	9.70/10.50	9.75/10.50	9.95/10.50

CONDENSING UNIT WITH FURNACES AND COILS

	TDD080R9V3 +TXC036S3	TDD080R9V3 +TXH063P3	TDD100R9V5 +TXC037S3	TDD100R9V5 +TXC054S3	TDD100R9V5 +TXH063P3	TDD120R9V5 +TXH063P3	TDY100R9V4 +TXC037S3
EXPANSION TYPE	TXV-NB	TXV-NB	TXV-NB	TXV-NB	TXV-NB	TXV-NB	TXV-NB
RATINGS (COOLING) ①							
BTUH (TOTAL)	43000	45000	43500	43000	45500	45500	42500
BTUH (SENSIBLE)	30900	32600	31800	31100	33500	33600	29800
INDOOR AIRFLOW (CFM)	1330	1340	1390	1390	1400	1400	1225
SYSTEM POWER (KW)	4.20	4.25	4.18	4.13	4.29	4.14	4.13
ERR/SEER (BTU/WATT-HR.)	10.25/11.50	10.60/11.50	10.40/11.50	10.40/11.50	10.60/11.50	11.00/11.50	10.30/11.50

	TDY100R9V4 +TXC054S3	TDY120R9V5 +TXH063P3	TUD080R9V3 +TXC036S3	TUD080R9V3 +TXH063P3	TUD100R9V5 +TXC037S3	TUD100R9V5 +TXC054S3	TUD100R9V5 +TXH063P3
EXPANSION TYPE	TXV-NB	TXV-NB	TXV-NB	TXV-NB	TXV-NB	TXV-NB	TXV-NB
RATINGS (COOLING) ①							
BTUH (TOTAL)	42000	44500	43000	45000	43500	43000	45500
BTUH (SENSIBLE)	29200	31300	31400	33100	31800	31100	33500
INDOOR AIRFLOW (CFM)	1230	1215	1400	1400	1400	1400	1400
SYSTEM POWER (KW)	4.06	4.12	4.30	4.35	4.26	4.22	4.27
ERR/SEER (BTU/WATT-HR.)	10.35/11.50	10.80/11.50	10.00/11.25	10.35/11.50	10.20/11.50	10.20/11.50	10.65/11.50

	TUD120R9V5 +TXH063P3	TUD140R9V5 +TXH063P3	TUY080R9V3 +TXC036S3	TUY080R9V3 +TXH063P3	TUY100R9V4 +TXC037S3	TUY100R9V4 +TXC054S3	TUY100R9V4 +TXH063P3
EXPANSION TYPE	TXV-NB	TXV-NB	TXV-NB	TXV-NB	TXV-NB	TXV-NB	TXV-NB
RATINGS (COOLING) ①							
BTUH (TOTAL)	45500	45500	42500	44500	42500	42000	44500
BTUH (SENSIBLE)	33600	33600	29800	31200	29700	29100	31100
INDOOR AIRFLOW (CFM)	1400	1400	1225	1210	1200	1200	1200
SYSTEM POWER (KW)	4.14	4.17	4.13	4.16	4.03	4.00	4.12
ERR/SEER (BTU/WATT-HR.)	11.00/11.50	10.90/11.50	10.30/11.50	10.70/11.50	10.55/11.50	10.50/11.50	10.80/11.50

	TUY120R9V5 +TXH063P3
EXPANSION TYPE	TXV-NB
RATINGS (COOLING) ①	
BTUH (TOTAL)	44500
BTUH (SENSIBLE)	31200
INDOOR AIRFLOW (CFM)	1200
SYSTEM POWER (KW)	4.10
ERR/SEER (BTU/WATT-HR.)	10.85/11.50

*See page 21 for combinations with Auxiliary Devices.



General Data

2TTA0048A3/4000A

OUTDOOR UNIT ①②	2TTA0048A3000A	2TTA0048A4000A
SOUND RATING (DECIBELS) ②	82	82
POWER CONNS. — V/PH/Hz ③	200/230/3/60	460/3/60
MIN. BRCH. CIR. AMPACITY	20	10
BR. CIR. } MAX. (AMPS)	30	15
PROT. RTG. } MIN. (AMPS)	30	15
COMPRESSOR	CLIMATUFF®	CLIMATUFF®
NO. USED - NO. SPEEDS	1 - 1	1 - 1
VOLTS/PH/Hz	200/230/3/60	460/3/60
R.L. AMPS ⑦ - L.R. AMPS	14.7 - 101	7.2 - 51
FACTORY INSTALLED		
START COMPONENTS ⑥	NO	NO
INSULATION/SOUND BLANKET	NO	NO
COMPRESSOR HEAT	YES	YES
OUTDOOR FAN — TYPE	PROPELLER	PROPELLER
DIA. (IN.) - NO. USED	19 - 1	19 - 1
TYPE DRIVE - NO. SPEEDS	DIRECT - 1	DIRECT - 1
CFM @ 0.0 IN. W.G. ④	2475	2475
NO. MOTORS - HP.	1 - 1/4	1 - 1/4
MOTOR SPEED R.P.M.	1075	1075
VOLTS/PH/Hz	200/230/3/60	460/3/60
F.L. AMPS	1.3	0.6
OUTDOOR COIL — TYPE	SPINE FIN™	SPINE FIN™
ROWS - F.P.I.	1 - 24	1 - 24
FACE AREA (SQ. FT.)	13.75	13.75
TUBE SIZE (IN.)	3/8	3/8
REFRIGERANT	R-22	R-22
(O.D. UNIT) NP CHR.G. ⑤	6/13-LB/OZ	6/13-LB/OZ
FACTORY SUPPLIED	YES	YES
LINE SIZE - IN. O.D. GAS ⑥	1-1/8	1-1/8
LINE SIZE - IN. O.D. LIQ. ⑥	3/8	3/8
FCCV		
RESTRICTOR ORIFICE SIZE	0.083	0.083
DIMENSIONS	H X W X D	H X W X D
OUTDOOR UNIT CRATED (IN.)	33.2 X 26.7 X 30.2	33.2 X 26.7 X 30.2
UNCRATED	SEE OUTLINE DWG.	SEE OUTLINE DWG.
WEIGHT		
SHIPPING (LBS.)	216	216
NET (LBS.)	196	196

- ① CERTIFIED IN ACCORDANCE WITH THE UNITARY AIR-CONDITIONER EQUIPMENT CERTIFICATION PROGRAM WHICH IS BASED ON A.R.I. STANDARD 210/240.
- ② RATED IN ACCORDANCE WITH A.R.I. STANDARD 270/SECTION 5.3.6.
- ③ CALCULATED IN ACCORDANCE WITH NATIONAL ELECTRIC CODE. ONLY USE HACR CIRCUIT BREAKERS OR FUSES.
- ④ STANDARD AIR - DRY COIL - OUTDOOR
- ⑤ THIS VALUE APPROXIMATE. FOR MORE PRECISE VALUE SEE UNIT NAMEPLATE AND SERVICE INSTRUCTION.
- ⑥ MAX. LINEAR LENGTH: 80 FT WITH RECIPROCATING COMPRESSOR - 60 FT WITH SCROLL. MAX. LIFT - SUCTION 60 FT; MAX LIFT - LIQUID 60 FT. FOR GREATER LENGTH REFER TO REFRIGERANT PIPING SOFTWARE PUB. NO. 32-3312-01.
- ⑦ THE VALUE SHOWN FOR COMPRESSOR RLA ON THE UNIT NAMEPLATE AND ON THIS SPECIFICATION SHEET IS USED TO COMPUTE MINIMUM BRANCH CIRCUIT AMPACITY AND MAXIMUM FUSE SIZE. THE VALUE SHOWN IS THE BRANCH CIRCUIT SELECTION CURRENT.
- ⑧ NO MEANS NO START COMPONENTS
YES MEANS QUICK START KIT COMPONENTS
PTC MEANS POSITIVE TEMPERATURE COEFFICIENT STARTER.



SPLIT SYSTEM

CONDENSING UNIT WITH COOLING COILS

	CCEB48A44C	CCBC48A44C	CCBD60A54C	CUBB48A44C	CUBC48A44C	CUBD48A44C	CUBD60A54C
EXPANSION TYPE	FIXED ORIFICE	FIXED ORIFICE	TXV-B	FIXED ORIFICE	FIXED ORIFICE	FIXED ORIFICE	TXV-B
RATINGS (COOLING) ①							
BTUH (TOTAL)	44000	45500	47500	44000	45500	45500	47500
BTUH (SENSIBLE)	30000	33300	35900	30000	33300	33300	35900
INDOOR AIRFLOW (CFM)	1250	1600	1780	1250	1600	1600	1780
SYSTEM POWER (KW)	4.78	5.00	5.19	4.78	5.00	5.00	5.19
ERR/SEER (BTU/WATT-HR.)	9.20/10.00	9.10/10.00	9.15/10.25	9.20/10.00	9.10/10.00	9.10/10.00	9.15/10.25

	TXA042C4	TXA043C4	TXA048C4	TXA049C4	TXA050C4	TXA060C5	TXA061C5
EXPANSION TYPE	CHG TO 83	CHG TO 83	FACT INS 83	FACT INS 83	FACT INS 83	TXV-B	TXV-B
RATINGS (COOLING) ①							
BTUH (TOTAL)	43500	45500	45000	47000	47000	47500	48000
BTUH (SENSIBLE)	29200	33200	31400	34500	34500	35200	37000
INDOOR AIRFLOW (CFM)	1200	1575	1350	1600	1600	1700	1800
SYSTEM POWER (KW)	4.73	4.97	4.86	5.05	5.05	5.16	5.19
ERR/SEER (BTU/WATT-HR.)	9.20/10.00	9.15/10.00	9.25/10.25	9.30/10.25	9.30/10.25	9.20/10.25	9.25/10.25

	TXC042C4	TXC043C4	TXC048C4	TXC049C4	TXC050C4	TXC054S3	TXC060C5
EXPANSION TYPE	CHG TO 83	CHG TO 83	FACT INS 83	FACT INS 83	FACT INS 83	TXV-NB	TXV-B
RATINGS (COOLING) ①							
BTUH (TOTAL)	43500	45500	45000	47000	47000	47000	47500
BTUH (SENSIBLE)	29200	33200	31400	34500	34500	35200	35200
INDOOR AIRFLOW (CFM)	1200	1575	1350	1600	1600	1700	1700
SYSTEM POWER (KW)	4.73	4.97	4.86	5.05	5.05	5.11	5.16
ERR/SEER (BTU/WATT-HR.)	9.20/10.00	9.15/10.00	9.25/10.25	9.30/10.25	9.30/10.25	9.20/10.50	9.20/10.25

*See page 21 for combinations with Auxiliary Devices.



General Data

2TTA0048A3/4000A

CONDENSING UNIT WITH COOLING COILS

	TXC061C5	TXC065S3	TXH041A4	TXH054A4	TXH063P3-A	TXH063P3-B
EXPANSION TYPE	TXV-B	TXV-NB	CHG TO 83	FACT INS 83	TXV-NB	TXV-NB
RATINGS (COOLING) ①						
BTUH (TOTAL)	48000	48500	46500	49000	49500	50000
BTUH (SENSIBLE)	37000	37200	34400	37700	38800	39500
INDOOR AIRFLOW (CFM)	1800	1800	1575	1700	1800	1800
SYSTEM POWER (KW)	5.19	5.22	5.03	5.21	5.27	5.32
ERR/SEER (BTU/WATT-HR.)	9.25/10.25	9.30/10.50	9.25/10.25	9.40/10.25	9.40/10.75	9.40/10.75

CONDENSING UNIT WITH AIR HANDLERS

	TWE042C14	TWE042P13	TWE048C14	TWE048P13	TWE049E13	TWE060C/D15	TWE060P13
EXPANSION TYPE	CHG TO 83	TXV-NB	FACT INS 83	TXV-NB	TXV-NB	TXV-B	TXV-NB
RATINGS (COOLING) ①							
BTUH (TOTAL)	45500	46500	47000	49000	49500	47500	49500
BTUH (SENSIBLE)	33700	34400	34800	36800	36500	36400	39000
INDOOR AIRFLOW (CFM)	1575	1575	1600	1600	1500	1780	1800
SYSTEM POWER (KW)	5.06	5.08	5.11	5.21	4.95	5.40	5.29
ERR/SEER (BTU/WATT-HR.)	9.00/10.00	9.15/10.25	9.20/10.25	9.40/10.75	10.00/11.50	8.80/10.00	9.35/10.50

	TWE063P13	TWE065E13	TWG042A14	TWG048A14	TWG060A15
EXPANSION TYPE	TXV-NB	TXV-NB	CHG TO 83	FACT INS 83	TXV-B
RATINGS (COOLING) ①					
BTUH (TOTAL)	49000	50000	43500	46500	48000
BTUH (SENSIBLE)	36600	38100	31100	34500	36800
INDOOR AIRFLOW (CFM)	1600	1640	1500	1600	1800
SYSTEM POWER (KW)	5.36	5.10	4.86	5.08	5.33
ERR/SEER (BTU/WATT-HR.)	9.15/10.25	9.80/11.25	8.95/10.00	9.15/10.25	9.00/10.00

CONDENSING UNIT WITH FURNACES AND COILS

	TDD100R9V5 +TXH063P3	TDD120R9V5 +TXH063P3	TDY100R9V4 +TXH063P3	TDY120R9V5 +TXH063P3	TUD100R9V5 +TXH063P3	TUD120R9V5 +TXC065S3	TUD120R9V5 +TXH063P3
EXPANSION TYPE	TXV-NB	TXV-NB	TXV-NB	TXV-NB	TXV-NB	TXV-NB	TXV-NB
RATINGS (COOLING) ①							
BTUH (TOTAL)	49500	50000	48500	48500	49000	48500	49500
BTUH (SENSIBLE)	37100	37800	35100	34700	36700	36000	37400
INDOOR AIRFLOW (CFM)	1600	1625	1450	1405	1600	1625	1625
SYSTEM POWER (KW)	5.10	5.05	5.03	4.95	5.13	5.00	5.03
ERR/SEER (BTU/WATT-HR.)	9.70/11.00	9.90/11.25	9.65/11.00	9.80/11.00	9.55/11.00	9.70/11.00	9.85/11.25

	TUD140R9V5 +TXC065S3	TUD140R9V5 +TXH063P3	TUY100R9V4 +TXH063P3	TUY120R9V5 +TXC065S3	TUY120R9V5 +TXH063P3
EXPANSION TYPE	TXV-NB	TXV-NB	TXV-NB	TXV-NB	TXV-NB
RATINGS (COOLING) ①					
BTUH (TOTAL)	48500	49500	48500	47500	48500
BTUH (SENSIBLE)	35800	37200	34900	33500	34700
INDOOR AIRFLOW (CFM)	1600	1600	1425	1400	1400
SYSTEM POWER (KW)	4.97	5.03	4.97	4.85	4.92
ERR/SEER (BTU/WATT-HR.)	9.75/11.00	9.85/11.25	9.75/11.00	9.80/11.25	9.85/11.25

*See page 21 for combinations with Auxiliary Devices.



General Data

2TTA0060A3/4000A

OUTDOOR UNIT ①②	2TTA0060A3000A	2TTA0060A4000A
SOUND RATING (DECIBELS) ②	82	82
POWER CONNS. — V/PH/Hz ③	200/230/3/60	460/3/60
MIN. BRCH. CIR. AMPACITY	27	13
BR. CIR. } MAX. (AMPS)	45	20
PROT. RTG. } MIN. (AMPS)	40	20
COMPRESSOR	CLIMATUFF®	CLIMATUFF®
NO. USED - NO. SPEEDS	1 - 1	1 - 1
VOLTS/PH/Hz	200/230/3/60	460/3/60
R.L. AMPS ⑦ - L.R. AMPS	19.7 - 139	9.6 - 71
FACTORY INSTALLED		
START COMPONENTS ⑥	NO	NO
INSULATION/SOUND BLANKET	NO	NO
COMPRESSOR HEAT	YES	YES
OUTDOOR FAN — TYPE	PROPELLER	PROPELLER
DIA. (IN.) - NO. USED	23 - 1	23 - 1
TYPE DRIVE - NO. SPEEDS	DIRECT - 1	DIRECT - 1
CFM @ 0.0 IN. W.G. ④	3700	3700
NO. MOTORS - HP.	1 - 1/4	1 - 1/4
MOTOR SPEED R.P.M.	825	825
VOLTS/PH/Hz	200/230/3/60	460/3/60
F.L. AMPS	1.9	1.0
OUTDOOR COIL — TYPE	SPINE FIN™	SPINE FIN™
ROWS - F.P.I.	1 - 24	1 - 24
FACE AREA (SQ. FT.)	18.75	18.75
TUBE SIZE (IN.)	3/8	3/8
REFRIGERANT	R-22	R-22
(O.D. UNIT) NP CHR.G. ⑤	7/07-LB/OZ	7/07-LB/OZ
FACTORY SUPPLIED	YES	YES
LINE SIZE - IN. O.D. GAS ⑥	1-1/8	1-1/8
LINE SIZE - IN. O.D. LIQ. ⑥	3/8	3/8
FCCV		
RESTRICTOR ORIFICE SIZE	0.092	0.092
DIMENSIONS	H X W X D	H X W X D
OUTDOOR UNIT CRATED (IN.)	38 X 30.1 X 33.8	38 X 30.1 X 33.8
UNCRATED	SEE OUTLINE DWG.	SEE OUTLINE DWG.
WEIGHT		
SHIPPING (LBS.)	255	255
NET (LBS.)	227	227

- ① CERTIFIED IN ACCORDANCE WITH THE UNITARY AIR-CONDITIONER EQUIPMENT CERTIFICATION PROGRAM WHICH IS BASED ON A.R.I. STANDARD 210/240.
- ② RATED IN ACCORDANCE WITH A.R.I. STANDARD 270/SECTION 5.3.6.
- ③ CALCULATED IN ACCORDANCE WITH NATIONAL ELECTRIC CODE. ONLY USE HACR CIRCUIT BREAKERS OR FUSES.
- ④ STANDARD AIR - DRY COIL - OUTDOOR
- ⑤ THIS VALUE APPROXIMATE. FOR MORE PRECISE VALUE SEE UNIT NAMEPLATE AND SERVICE INSTRUCTION.
- ⑥ MAX. LINEAR LENGTH: 80 FT WITH RECIPROCATING COMPRESSOR - 60 FT WITH SCROLL. MAX. LIFT - SUCTION 60 FT; MAX LIFT - LIQUID 60 FT. FOR GREATER LENGTH REFER TO REFRIGERANT PIPING SOFTWARE PUB. NO. 32-3312-01.
- ⑦ THE VALUE SHOWN FOR COMPRESSOR RLA ON THE UNIT NAMEPLATE AND ON THIS SPECIFICATION SHEET IS USED TO COMPUTE MINIMUM BRANCH CIRCUIT AMPACITY AND MAXIMUM FUSE SIZE. THE VALUE SHOWN IS THE BRANCH CIRCUIT SELECTION CURRENT.
- ⑧ NO MEANS NO START COMPONENTS
YES MEANS QUICK START KIT COMPONENTS
PTC MEANS POSITIVE TEMPERATURE COEFFICIENT STARTER.



SPLIT SYSTEM



CONDENSING UNIT WITH COOLING COILS

	CCBC60A4AC	CCBD60A5AC	CUBC60A4AC	CUBD60A5AC	TXA043C4	TXA048C4	TXA049C4
EXPANSION TYPE	FIXED ORIFICE	TXV-B	FIXED ORIFICE	TXV-B	CHG TO 92	CHG TO 92	CHG TO 92
RATINGS (COOLING) ①							
BTUH (TOTAL)	57000	59000	57000	59000	55500	54500	57000
BTUH (SENSIBLE)	39400	42400	39400	42400	37600	35700	39400
INDOOR AIRFLOW (CFM)	1675	2000	1675	2000	1575	1350	1675
SYSTEM POWER (KW)	6.20	6.41	6.20	6.41	6.07	5.92	6.20
ERR/SEER (BTU/WATT-HR.)	9.20/10.00	9.20/10.25	9.20/10.00	9.20/10.25	9.15/10.00	9.20/10.00	9.20/10.00

	TXA050C4	TXA060C5	TXA061C5	TXC043C4	TXC048C4	TXC049C4	TXC050C4
EXPANSION TYPE	CHG TO 92	TXV-B	TXV-B	CHG TO 92	CHG TO 92	CHG TO 92	CHG TO 92
RATINGS (COOLING) ①							
BTUH (TOTAL)	57000	58000	59500	55500	54500	57000	57000
BTUH (SENSIBLE)	39400	39700	42000	37600	35700	39400	39400
INDOOR AIRFLOW (CFM)	1675	1700	1800	1575	1350	1675	1675
SYSTEM POWER (KW)	6.20	6.24	6.36	6.07	5.92	6.20	6.20
ERR/SEER (BTU/WATT-HR.)	9.20/10.00	9.30/10.25	9.35/10.25	9.15/10.00	9.20/10.00	9.20/10.00	9.20/10.00

	TXC054S3	TXC060C5	TXC061C5	TXC065S3	TXH041A4	TXH054A4	TXH063P3-A
EXPANSION TYPE	TXV-NB	TXV-B	TXV-B	TXV-NB	CHG TO 92	CHG TO 92	TXV-NB
RATINGS (COOLING) ①							
BTUH (TOTAL)	57000	58000	59500	61000	57000	60500	62000
BTUH (SENSIBLE)	39500	39700	42000	44400	39000	42600	46100
INDOOR AIRFLOW (CFM)	1700	1700	1800	2000	1575	1700	2000
SYSTEM POWER (KW)	6.16	6.24	6.36	6.52	6.13	6.37	6.56
ERR/SEER (BTU/WATT-HR.)	9.25/10.50	9.30/10.25	9.35/10.25	9.35/10.50	9.30/10.25	9.50/10.50	9.45/10.75



General Data

2TTA0060A3/4000A

CONDENSING UNIT WITH COOLING COILS

TXH063P3-B	
EXPANSION TYPE	TXV-NB
RATINGS (COOLING) ①	
BTUH (TOTAL)	62500
BTUH (SENSIBLE)	46800
INDOOR AIRFLOW (CFM)	2000
SYSTEM POWER (KW)	6.58
ERR/SEER (BTU/WATT-HR.)	9.50/10.75

CONDENSING UNIT WITH AIR HANDLERS

	TWE042C14	TWE042P13	TWE048C14	TWE048P13	TWE049E13	TWE060C/D15	TWE060P13
EXPANSION TYPE	CHG TO 92	TXV-NB	CHG TO 92	TXV-NB	TXV-NB	TXV-B	TXV-NB
RATINGS (COOLING) ①							
BTUH (TOTAL)	55500	56500	58500	61000	61000	59000	61000
BTUH (SENSIBLE)	38000	38700	41400	43900	43900	42600	43900
INDOOR AIRFLOW (CFM)	1575	1575	1800	1800	1800	1945	1800
SYSTEM POWER (KW)	6.13	6.14	6.39	6.42	6.46	6.63	6.42
ERR/SEER (BTU/WATT-HR.)	9.05/10.00	9.20/10.25	9.15/10.25	9.50/10.75	9.45/10.75	8.90/10.00	9.50/10.75

	TWE063P13	TWE065E13	TWG042A14	TWG048A14	TWG060A15
EXPANSION TYPE	TXV-NB	TXV-NB	CHG TO 92	CHG TO 92	TXV-B
RATINGS (COOLING) ①					
BTUH (TOTAL)	61000	62000	52500	57000	59500
BTUH (SENSIBLE)	43700	44800	35000	39300	43300
INDOOR AIRFLOW (CFM)	1800	1800	1500	1625	2000
SYSTEM POWER (KW)	6.63	6.39	5.90	6.20	6.57
ERR/SEER (BTU/WATT-HR.)	9.20/10.50	9.70/11.00	8.90/10.00	9.20/10.25	9.05/10.25

General Data

2TTA0072A3/4000A

OUTDOOR UNIT ①②	2TTA0072A3000A	2TTA0072A4000A
SOUND RATING (DECIBELS) ②	81	81
POWER CONNS. — V/PH/Hz ③	200/230/3/60	460/3/60
MIN. BRCH. CIR. CAPACITY	26	14
BR. CIR. } MAX. (AMPS)	45	20
PROT. RTG. } MIN. (AMPS)	40	20
COMPRESSOR	CLIMATUFF® - SCROLL	CLIMATUFF® - SCROLL
NO. USED - NO. SPEEDS	1 - 1	1 - 1
VOLTS/PH/Hz	200/230/3/60	460/3/60
R.L. AMPS ⑦ - L.R. AMPS	19.8 - 156	10.5 - 75
FACTORY INSTALLED		
START COMPONENTS ⑥	NO	NO
INSULATION/SOUND BLANKET	NO	NO
COMPRESSOR HEAT	YES	YES
OUTDOOR FAN — TYPE	PROPELLER	PROPELLER
DIA. (IN.) - NO. USED	27.6 - 1	27.6 - 1
TYPE DRIVE - NO. SPEEDS	DIRECT - 1	DIRECT - 1
CFM @ 0.0 IN. W.G. ④	4225	4225
NO. MOTORS - HP.	1 - 1/6	1 - 1/6
MOTOR SPEED R.P.M.	825	825
VOLTS/PH/Hz	200/230/3/60	460/3/60
F.L. AMPS	1.4	0.7
OUTDOOR COIL — TYPE	SPINE FIN™	SPINE FIN™
ROWS - F.P.I.	1 - 24	1 - 24
FACE AREA (SQ. FT.)	27.87	27.87
TUBE SIZE (IN.)	3/8	3/8
REFRIGERANT	R-22	R-22
(O.D. UNIT) NP CHR.G. ⑤	10/00-LB/OZ	10/00-LB/OZ
FACTORY SUPPLIED	YES	YES
LINE SIZE - IN. O.D. GAS ⑥	1-1/8	1-1/8
LINE SIZE - IN. O.D. LIQ. ⑥	3/8	3/8
DIMENSIONS	H X W X D	H X W X D
OUTDOOR UNIT CRATED (IN.)	46.4 X 35.1 X 38.7	46.4 X 35.1 X 38.7
UNCRATED	SEE OUTLINE DWG.	SEE OUTLINE DWG.
WEIGHT		
SHIPPING (LBS.)	297	297
NET (LBS.)	261	261

- ① CERTIFIED IN ACCORDANCE WITH THE UNITARY AIR-CONDITIONER EQUIPMENT CERTIFICATION PROGRAM WHICH IS BASED ON A.R.I. STANDARD 210/240.
- ② RATED IN ACCORDANCE WITH A.R.I. STANDARD 270/SECTION 5.3.6.
- ③ CALCULATED IN ACCORDANCE WITH NATIONAL ELECTRIC CODE. ONLY USE HACR CIRCUIT BREAKERS OR FUSES.
- ④ STANDARD AIR - DRY COIL - OUTDOOR
- ⑤ THIS VALUE APPROXIMATE. FOR MORE PRECISE VALUE SEE UNIT NAMEPLATE AND SERVICE INSTRUCTION.
- ⑥ MAX. LINEAR LENGTH: 80 FT WITH RECIPROCATING COMPRESSOR - 60 FT WITH SCROLL. MAX. LIFT - SUCTION 60 FT; MAX LIFT - LIQUID 60 FT. FOR GREATER LENGTH REFER TO REFRIGERANT PIPING SOFTWARE PUB. NO. 32-3312-01.
- ⑦ THE VALUE SHOWN FOR COMPRESSOR RLA ON THE UNIT NAMEPLATE AND ON THIS SPECIFICATION SHEET IS USED TO COMPUTE MINIMUM BRANCH CIRCUIT AMPACITY AND MAXIMUM FUSE SIZE. THE VALUE SHOWN IS THE BRANCH CIRCUIT SELECTION CURRENT.
- ⑧ NO MEANS NO START COMPONENTS
YES MEANS QUICK START KIT COMPONENTS
PTC MEANS POSITIVE TEMPERATURE COEFFICIENT STARTER.



SPLIT SYSTEM



CONDENSING UNIT WITH COOLING COILS

	TXA061C5	TXC061C5	TXH063P3-A	TXH063P3-B
EXPANSION TYPE	TXV-B	TXV-B	TXV-NB	TXV-NB
RATINGS (COOLING) ①				
BTUH (TOTAL)	66000	66000	70000	70000
BTUH (SENSIBLE)	44900	44900	51900	51100
INDOOR AIRFLOW (CFM)	1800	1800	2225	2100
SYSTEM POWER (KW)	6.63	6.63	6.93	6.86
ERR/SEER (BTU/WATT-HR.)	9.95/11.05	9.95/11.05	10.10/11.50	10.20/11.65

CONDENSING UNIT WITH AIR HANDLERS

	TWE060A	TWE060C15-C/D15-A	TWE063P13	TWE065E13	TWE090A	TWG060A15
EXPANSION TYPE	TXV-B	TXV-B	TXV-NB	TXV-NB	TXV-NB	TXV-B
RATINGS (COOLING) ①						
BTUH (TOTAL)	66000	66000	69000	69000	71000	66000
BTUH (SENSIBLE)	47100	46200	51100	51400	51900	46500
INDOOR AIRFLOW (CFM)	2225	2000	2200	2225	2400	2050
SYSTEM POWER (KW)	6.70	6.84	7.11	7.08	6.73	6.84
ERR/SEER (BTU/WATT-HR.)	9.85/10.95	9.65/10.85	9.70/10.95	9.75/11.05	10.55/12.05	9.65/10.90



Ratings with Auxiliary Devices

COMBINATIONS WITH FAN DELAY RELAY KIT AND/OR TXV KIT

*When models are matched with an indoor air handler or coil that has a flow control check valve or expansion valve flow control, the addition of an indoor fan delay relay and/or TXV kit may increase the system SEER. See charts below for ratings.

OUTDOOR MODEL	INDOOR MODEL	FAN DELAY KIT	TXV KIT	CFM	SEER	COOLING CAPACITY
2TTA0030A3/4	TDD060R9V3 +TXH025A4	FI	NB	1000	11.25	29800
2TTA0030A3/4	TDD060R9V3 +TXH033A4	FI	NB	1000	11.50	30600
2TTA0030A3/4	TDD060R9V3 +TXH041A4	FI	NB	1000	11.50	32000
2TTA0030A3/4	TDD080R9V3 +TXH025A4	FI	NB	950	11.25	29600
2TTA0030A3/4	TDD080R9V3 +TXH033A4	FI	NB	950	11.50	30400
2TTA0030A3/4	TDD080R9V3 +TXH041A4	FI	NB	950	11.50	31800
2TTA0030A3/4	TDY060R9V3 +TXH025A4	FI	NB	875	11.25	29200
2TTA0030A3/4	TDY060R9V3 +TXH033A4	FI	NB	870	11.50	30000
2TTA0030A3/4	TDY060R9V3 +TXH041A4	FI	NB	865	11.50	31200
2TTA0030A3/4	TDY080R9V3 +TXH025A4	FI	NB	890	11.00	29000
2TTA0030A3/4	TDY080R9V3 +TXH033A4	FI	NB	890	11.25	30000
2TTA0030A3/4	TDY080R9V3 +TXH041A4	FI	NB	885	11.50	31200
2TTA0030A3/4	TUD060R9V3 +TXH025A4	FI	NB	1000	11.00	29600
2TTA0030A3/4	TUD060R9V3 +TXH033A4	FI	NB	1000	11.25	30600
2TTA0030A3/4	TUD060R9V3 +TXH041A4	FI	NB	1000	11.50	31800
2TTA0030A3/4	TUD080R9V3 +TXH025A4	FI	NB	1000	11.00	29600
2TTA0030A3/4	TUD080R9V3 +TXH033A4	FI	NB	1000	11.25	30600
2TTA0030A3/4	TUD080R9V3 +TXH041A4	FI	NB	1000	11.50	32000
2TTA0030A3/4	TUY060R9V3 +TXH025A4	FI	NB	885	11.00	29200
2TTA0030A3/4	TUY060R9V3 +TXH033A4	FI	NB	880	11.25	30000
2TTA0030A3/4	TUY060R9V3 +TXH041A4	FI	NB	870	11.50	31200
2TTA0030A3/4	TUY080R9V3 +TXH025A4	FI	NB	860	11.25	29000
2TTA0030A3/4	TUY080R9V3 +TXH033A4	FI	NB	855	11.50	30000
2TTA0030A3/4	TUY080R9V3 +TXH041A4	FI	NB	850	11.50	31200
2TTA0030A3/4	TVF030A14	FI	NB	1000	11.00	30800
2TTA0030A3/4	TXC031E5	Y	NO	1000	11.00	31000
2TTA0030A3/4	TXC036E5	Y	NO	1125	11.00	32200
2TTA0030A3/4	TXC037E5	Y	NO	1125	11.00	32200
2TTA0030A3/4	TXH041A4	N	NB	1125	11.00	31800

OUTDOOR MODEL	INDOOR MODEL	FAN DELAY KIT	TXV KIT	CFM	SEER	COOLING CAPACITY
2TTA0036A3/4	TDD060R9V3 +TXH033A4	FI	NB	1200	11.00	35400
2TTA0036A3/4	TDD060R9V3 +TXH041A4	FI	NB	1200	11.50	37600
2TTA0036A3/4	TDD080R9V3 +TXH033A4	FI	NB	1125	11.25	35200
2TTA0036A3/4	TDD080R9V3 +TXH041A4	FI	NB	1140	11.50	37400
2TTA0036A3/4	TDD100R9V5 +TXH033A4	FI	NB	1130	11.25	35200
2TTA0036A3/4	TDD100R9V5 +TXH041A4	FI	NB	1200	11.50	37800
2TTA0036A3/4	TDY060R9V3 +TXH033A4	FI	NB	1080	11.25	35000
2TTA0036A3/4	TDY060R9V3 +TXH041A4	FI	NB	1075	11.50	37000
2TTA0036A3/4	TDY080R9V3 +TXH033A4	FI	NB	1100	11.00	35000
2TTA0036A3/4	TDY080R9V3 +TXH041A4	FI	NB	1100	11.50	37000
2TTA0036A3/4	TDY100R9V4 +TXH033A4	FI	NB	1050	11.25	34800
2TTA0036A3/4	TDY100R9V4 +TXH041A4	FI	NB	1050	11.50	36800
2TTA0036A3/4	TUD060R9V3 +TXH033A4	FI	NB	1250	10.75	35400
2TTA0036A3/4	TUD060R9V3 +TXH041A4	FI	NB	1250	11.25	37400
2TTA0036A3/4	TUD080R9V3 +TXH033A4	FI	NB	1200	11.00	35400
2TTA0036A3/4	TUD080R9V3 +TXH041A4	FI	NB	1200	11.50	37400
2TTA0036A3/4	TUD100R9V5 +TXH033A4	FI	NB	1200	11.25	35600
2TTA0036A3/4	TUD100R9V5 +TXH041A4	FI	NB	1200	11.50	37800
2TTA0036A3/4	TUY060R9V3 +TXH033A4	FI	NB	1070	11.00	35000
2TTA0036A3/4	TUY060R9V3 +TXH041A4	FI	NB	1025	11.50	36800
2TTA0036A3/4	TUY080R9V3 +TXH033A4	FI	NB	1000	11.25	34600
2TTA0036A3/4	TUY080R9V3 +TXH041A4	FI	NB	1025	11.50	36800
2TTA0036A3/4	TUY100R9V4 +TXH033A4	FI	NB	1050	11.25	35000
2TTA0036A3/4	TUY100R9V4 +TXH041A4	FI	NB	1050	11.50	37000
2TTA0036A3/4	TXC031E5	Y	NO	1110	11.00	36400
2TTA0036A3/4	TXC036E5	Y	NO	1200	11.00	37400
2TTA0036A3/4	TXC037E5	Y	NO	1200	11.00	37400

FI - FACTORY INSTALLED

B - BLEED TXV

NB - NON-BLEED TXV



Ratings with Auxiliary Devices

COMBINATIONS WITH FAN DELAY RELAY KIT AND/OR TXV KIT

*When models are matched with an indoor air handler or coil that has a flow control check valve or expansion valve flow control, the addition of an indoor fan delay relay and/or TXV kit may increase the system SEER. See charts below for ratings.

OUTDOOR MODEL	INDOOR MODEL	FAN DELAY KIT	TXV KIT	CFM	SEER	COOLING CAPACITY
2TTA0042A3/4	TDD080R9V3 +TXH041A4	FI	NB	1340	11.50	42500
2TTA0042A3/4	TDD080R9V3 +TXH054A4	FI	NB	1340	11.50	44000
2TTA0042A3/4	TDD100R9V5 +TXH041A4	FI	NB	1400	11.50	43500
2TTA0042A3/4	TDD100R9V5 +TXH054A4	FI	NB	1400	11.50	45000
2TTA0042A3/4	TDD120R9V5 +TXH041A4	FI	NB	1400	11.50	43500
2TTA0042A3/4	TDD120R9V5 +TXH054A4	FI	NB	1400	11.50	45000
2TTA0042A3/4	TDY120R9V5 +TXH041A4	FI	NB	1215	11.50	42000
2TTA0042A3/4	TDY120R9V5 +TXH054A4	FI	NB	1210	11.50	43500
2TTA0042A3/4	TUD080R9V3 +TXH041A4	FI	NB	1400	11.25	43000
2TTA0042A3/4	TUD080R9V3 +TXH054A4	FI	NB	1400	11.50	44500
2TTA0042A3/4	TUD100R9V5 +TXH041A4	FI	NB	1465	11.50	43500
2TTA0042A3/4	TUD100R9V5 +TXH054A4	FI	NB	1450	11.50	45000
2TTA0042A3/4	TUD120R9V5 +TXH041A4	FI	NB	1400	11.50	43500
2TTA0042A3/4	TUD120R9V5 +TXH054A4	FI	NB	1400	11.50	45000
2TTA0042A3/4	TUD140R9V5 +TXH041A4	FI	NB	1375	11.50	43000
2TTA0042A3/4	TUD140R9V5 +TXH054A4	FI	NB	1400	11.50	45000
2TTA0042A3/4	TUY080R9V3 +TXH041A4	FI	NB	1210	11.50	42000
2TTA0042A3/4	TUY080R9V3 +TXH054A4	FI	NB	1215	11.50	43500
2TTA0042A3/4	TUY100R9V4 +TXH041A4	FI	NB	1220	11.50	42000
2TTA0042A3/4	TUY100R9V4 +TXH054A4	FI	NB	1225	11.50	44000
2TTA0042A3/4	TUY120R9V5 +TXH041A4	FI	NB	1225	11.50	42500
2TTA0042A3/4	TUY120R9V5 +TXH054A4	FI	NB	1225	11.50	44000
2TTA0042A3/4	TXC036E5	Y	NO	1280	11.00	42500
2TTA0042A3/4	TXC037E5	Y	NO	1350	11.00	43000
2TTA0042A3/4	TXC054E5	Y	NO	1575	11.00	43500

OUTDOOR MODEL	INDOOR MODEL	FAN DELAY KIT	TXV KIT	CFM	SEER	COOLING CAPACITY
2TTA0048A3/4	TDD100R9V5 +TXH054A4	FI	NB	1600	11.00	48500
2TTA0048A3/4	TDD120R9V5 +TXH041A4	FI	NB	1600	11.00	47000
2TTA0048A3/4	TDD120R9V5 +TXH054A4	FI	NB	1600	11.00	49000
2TTA0048A3/4	TDY120R9V5 +TXH054A4	FI	NB	1415	11.00	48000
2TTA0048A3/4	TUD120R9V5 +TXH041A4	FI	NB	1625	11.00	47000
2TTA0048A3/4	TUD120R9V5 +TXH054A4	FI	NB	1625	11.00	49000
2TTA0048A3/4	TUD140R9V5 +TXH041A4	FI	NB	1600	11.00	47000
2TTA0048A3/4	TUD140R9V5 +TXH054A4	FI	NB	1600	11.00	49000
2TTA0048A3/4	TUY100R9V4 +TXH054A4	FI	NB	1430	11.00	48000
2TTA0048A3/4	TUY120R9V5 +TXH041A4	FI	NB	1400	11.00	46000
2TTA0048A3/4	TUY120R9V5 +TXH054A4	FI	NB	1425	11.00	48000
2TTA0048A3/4	TXC054E5	Y	NO	1700	10.50	47000

FI - FACTORY INSTALLED

B - BLEED TXV

NB - NON-BLEED TXV



Performance Data Cooling

2TTA0030A3/4

2TTA0030A3/4 WITH TXA/TXC031C4/D4 AT 1000 CFM

O.D. D.B.	I.D. W.B.	TOT. CAP.	SENS. CAP. AT ENTERING D.B. TEMP.				TOTAL KW
			72	75	78	80	
85	59	26.0	21.8	24.5	26.5*	27.2*	2.89
	63	28.1	18.3	21.0	23.7	25.5	2.97
	67	30.3	14.3	17.1	19.8	21.6	3.05
	71	32.5	10.4	13.1	15.8	17.6	3.14
95	59	25.5	21.5	24.2	26.1*	26.7*	3.13
	63	27.5	18.0	20.7	23.4	25.2	3.22
	67	29.6	14.1	16.8	19.5	21.3	3.31
	71	31.8	10.1	12.8	15.5	17.3	3.40
105	59	23.9	20.8	23.4	24.7*	25.4*	3.32
	63	25.8	17.3	20.0	22.7	24.5	3.40
	67	27.8	13.4	16.1	18.8	20.6	3.49
	71	29.8	9.4	12.1	14.8	16.6	3.58
115	59	22.3	20.1	22.4	23.4*	24.0*	3.50
	63	24.1	16.6	19.3	22.0	23.8	3.59
	67	25.9	12.7	15.4	18.1	19.9	3.67
	71	27.8	8.7	11.4	14.1	15.9	3.76

CORRECTION FACTORS FOR OTHER AIRFLOWS (MULTIPLY DATA BY FACTOR)

AIRFLOW	TOTAL CAPACITY	SENSIBLE CAPACITY
LOW	0.98	0.94
HIGH	1.02	1.05

NOTE: ALL TABLES ABOVE ARE AT ARI RATING CONDITIONS RATED WITH 25 FEET OF REFRIGERANT LINES.
* DRY COIL CONDITION (TOTAL CAPACITY = SENSIBLE CAPACITY)
TOTAL CAPACITY, COMP. KW AND APP. DEW PT. ARE VALID ONLY FOR WET COIL. ALL TEMPERATURES IN DEGREES F.

CORRECTION FACTORS FOR OTHER COMBINATIONS (MULTIPLY DATA BY FACTOR)

INDOOR MODEL	CFM	MBTUH TOT	MBTUH SEN	SYST KW
CC/CUBA30A4AC	RATED	1000	0.98	0.96
	LOW	875	0.96	0.97
	HIGH	1125	0.99	0.95
CUBB30A4AC	RATED	1000	1.01	0.97
	LOW	875	0.99	0.98
	HIGH	1125	1.03	0.96
TDD060R9V3+TXC031S3	RATED	1000	1.09	0.95
	LOW	875	1.06	0.96
	HIGH	1125	1.11	0.94
TDD060R9V3+TXC036S3	RATED	1000	1.11	0.95
	LOW	875	1.08	0.96
	HIGH	1125	1.13	0.94
TDD060R9V3+TXH025A4+TAYTXV-3	RATED	1000	1.03	0.93
	LOW	875	1.00	0.94
	HIGH	1125	1.05	0.92
TDD060R9V3+TXH033A4+TAYTXV-3	RATED	1000	1.05	0.93
	LOW	875	1.03	0.93
	HIGH	1125	1.07	0.92
TDD060R9V3+TXH041A4+TAYTXV-3	RATED	1000	1.10	0.94
	LOW	875	1.08	0.95
	HIGH	1125	1.12	0.93
TDD080R9V3+TXC031S3	RATED	900	1.07	0.93
	LOW	775	1.04	0.94
	HIGH	1025	1.09	0.92
TDD080R9V3+TXC036S3	RATED	900	1.09	0.93
	LOW	775	1.06	0.94
	HIGH	1025	1.11	0.92
TDD080R9V3+TXH025A4+TAYTXV-3	RATED	1000	1.03	0.92
	LOW	875	1.01	0.93
	HIGH	1125	1.05	0.91
TDD080R9V3+TXH033A4+TAYTXV-3	RATED	1000	1.05	0.92
	LOW	875	1.03	0.93
	HIGH	1125	1.07	0.92

CORRECTION FACTORS FOR OTHER COMBINATIONS (MULTIPLY DATA BY FACTOR)

INDOOR MODEL	CFM	MBTUH TOT	MBTUH SEN	SYST KW
TDD080R9V3+TXH041A4+TAYTXV-3	RATED	1000	1.10	0.94
	LOW	875	1.08	0.95
	HIGH	1125	1.12	0.93
TDY060R9V3+TXC031S3	RATED	900	1.07	0.93
	LOW	775	1.04	0.94
	HIGH	1025	1.09	0.92
TDY060R9V3+TXC036S3	RATED	900	1.09	0.93
	LOW	775	1.06	0.94
	HIGH	1025	1.11	0.92
TDY060R9V3+TXH025A4+TAYTXV-3	RATED	900	1.01	0.91
	LOW	775	0.98	0.91
	HIGH	1025	1.03	0.90
TDY060R9V3+TXH033A4+TAYTXV-3	RATED	900	1.03	0.91
	LOW	775	1.00	0.92
	HIGH	1025	1.05	0.90
TDY060R9V3+TXH041A4+TAYTXV-3	RATED	900	1.08	0.92
	LOW	775	1.05	0.93
	HIGH	1025	1.10	0.91
TDY080R9V3+TXC031S3	RATED	900	1.06	0.94
	LOW	775	1.03	0.95
	HIGH	1025	1.08	0.93
TDY080R9V3+TXC036S3	RATED	900	1.09	0.94
	LOW	775	1.06	0.95
	HIGH	1025	1.11	0.93
TDY080R9V3+TXH025A4+TAYTXV-3	RATED	900	1.00	0.91
	LOW	775	0.97	0.92
	HIGH	1025	1.02	0.90
TDY080R9V3+TXH033A4+TAYTXV-3	RATED	900	1.03	0.92
	LOW	775	1.00	0.93
	HIGH	1025	1.05	0.91
TDY080R9V3+TXH041A4+TAYTXV-3	RATED	900	1.08	0.93
	LOW	775	1.04	0.94
	HIGH	1025	1.10	0.92
TUD060R9V3+TXC031S3	RATED	1100	1.09	0.97
	LOW	950	1.07	0.98
	HIGH	1250	1.10	0.96
TUD060R9V3+TXC036S3	RATED	1000	1.10	0.96
	LOW	875	1.08	0.97
	HIGH	1125	1.12	0.95
TUD060R9V3+TXH025A4+TAYTXV-3	RATED	1000	1.02	0.93
	LOW	875	1.00	0.94
	HIGH	1125	1.04	0.92
TUD060R9V3+TXH033A4+TAYTXV-3	RATED	1000	1.05	0.94
	LOW	875	1.03	0.95
	HIGH	1125	1.07	0.93
TUD060R9V3+TXH041A4+TAYTXV-3	RATED	1000	1.09	0.95
	LOW	875	1.07	0.96
	HIGH	1125	1.11	0.94
TUD080R9V3+TXC031S3	RATED	1000	1.09	0.95
	LOW	875	1.06	0.96
	HIGH	1125	1.11	0.94
TUD080R9V3+TXC036S3	RATED	1000	1.11	0.95
	LOW	875	1.08	0.96
	HIGH	1125	1.13	0.94
TUD080R9V3+TXH025A4+TAYTXV-3	RATED	1000	1.02	0.92
	LOW	875	1.00	0.93
	HIGH	1125	1.04	0.91
TUD080R9V3+TXH033A4+TAYTXV-3	RATED	1000	1.05	0.93
	LOW	875	1.03	0.94
	HIGH	1125	1.07	0.92
TUD080R9V3+TXH041A4+TAYTXV-3	RATED	1000	1.10	0.95
	LOW	875	1.08	0.96
	HIGH	1125	1.12	0.94



Performance Data Cooling

2TTA0030A3/4

CORRECTION FACTORS FOR OTHER COMBINATIONS (MULTIPLY DATA BY FACTOR)

INDOOR MODEL		CFM	MBTUH TOT	MBTUH SEN	SYST KW
TUY060R9V3+TXC031S3	RATED	900	1.07	1.04	0.94
	LOW	775	1.04	0.97	0.95
	HIGH	1025	1.09	1.10	0.93
TUY060R9V3+TXC036S3	RATED	900	1.09	1.06	0.94
	LOW	775	1.06	0.99	0.95
	HIGH	1025	1.11	1.13	0.93
TUY060R9V3+TXH025A4+TAYTXV-3	RATED	900	1.01	0.97	0.91
	LOW	775	0.98	0.91	0.92
	HIGH	1025	1.03	1.02	0.90
TUY060R9V3+TXH033A4+TAYTXV-3	RATED	900	1.03	1.02	0.91
	LOW	775	1.00	0.96	0.92
	HIGH	1025	1.05	1.08	0.91
TUY060R9V3+TXH041A4+TAYTXV-3	RATED	900	1.08	1.05	0.93
	LOW	775	1.05	0.98	0.94
	HIGH	1025	1.10	1.11	0.92
TUY080R9V3+TXC031S3	RATED	900	1.07	1.04	0.93
	LOW	775	1.04	0.97	0.94
	HIGH	1025	1.09	1.10	0.92
TUY080R9V3+TXC036S3	RATED	900	1.09	1.06	0.93
	LOW	775	1.05	0.99	0.94
	HIGH	1025	1.11	1.12	0.92
TUY080R9V3+TXH025A4+TAYTXV-3	RATED	900	1.01	0.97	0.90
	LOW	775	0.98	0.91	0.91
	HIGH	1025	1.03	1.02	0.89
TUY080R9V3+TXH033A4+TAYTXV-3	RATED	900	1.03	1.03	0.91
	LOW	775	1.00	0.97	0.92
	HIGH	1025	1.05	1.09	0.90
TUY080R9V3+TXH041A4+TAYTXV-3	RATED	900	1.08	1.06	0.92
	LOW	775	1.05	0.98	0.93
	HIGH	1025	1.10	1.12	0.91
TVF024A14	RATED	800	0.99	0.95	0.94
	LOW	700	0.96	0.89	0.95
	HIGH	900	1.01	1.00	0.93
TVF025A14	RATED	900	1.01	1.00	0.96
	LOW	775	0.98	0.93	0.97
	HIGH	1025	1.03	1.06	0.96
TVF030A14	RATED	1000	1.05	1.07	0.98
	LOW	875	1.03	1.01	0.99
	HIGH	1125	1.08	1.14	0.97
TVF036A14	RATED	1100	1.08	1.12	1.02
	LOW	950	1.06	1.04	1.03
	HIGH	1250	1.09	1.19	1.01
TWE024C14	RATED	900	0.95	0.91	0.93
	LOW	775	0.92	0.85	0.94
	HIGH	1025	0.97	0.95	0.92
TWE024P13	RATED	900	1.03	1.00	0.96
	LOW	775	1.00	0.94	0.97
	HIGH	1025	1.05	1.06	0.95
TWE030C14	RATED	900	0.99	0.96	0.94
	LOW	775	0.96	0.90	0.95
	HIGH	1025	1.01	1.02	0.92
TWE030P13	RATED	900	1.04	1.01	0.95
	LOW	775	1.00	0.95	0.96
	HIGH	1025	1.06	1.07	0.94
TWE031E13	RATED	1000	1.06	1.07	0.95
	LOW	875	1.04	1.00	0.96
	HIGH	1125	1.08	1.12	0.94
TWE036C14	RATED	1100	1.06	1.10	1.00
	LOW	950	1.04	1.03	1.01
	HIGH	1250	1.07	1.16	0.99
TWE036P13	RATED	1100	1.07	1.09	1.00
	LOW	950	1.05	1.02	1.01
	HIGH	1250	1.08	1.15	0.99

CORRECTION FACTORS FOR OTHER COMBINATIONS (MULTIPLY DATA BY FACTOR)

INDOOR MODEL		CFM	MBTUH TOT	MBTUH SEN	SYST KW
TWE037E13	RATED	1000	1.09	1.09	0.93
	LOW	875	1.06	1.02	0.94
	HIGH	1125	1.11	1.14	0.92
TWE040E13	RATED	1000	1.14	1.16	0.95
	LOW	875	1.12	1.08	0.96
	HIGH	1125	1.16	1.23	0.94
TWE042P13	RATED	1100	1.10	1.12	1.01
	LOW	950	1.07	1.06	1.02
	HIGH	1250	1.11	1.19	1.00
TWG025A14	RATED	900	0.99	0.97	0.93
	LOW	775	0.96	0.92	0.94
	HIGH	1025	1.01	1.03	0.92
TWG030A14	RATED	1000	1.01	1.02	0.96
	LOW	875	0.99	0.97	0.97
	HIGH	1125	1.02	1.07	0.95
TWG036A14	RATED	1100	1.05	1.08	0.99
	LOW	950	1.02	1.02	1.00
	HIGH	1250	1.06	1.15	0.98
TXA/TXC025C4/D4	RATED	900	0.99	0.96	0.95
	LOW	775	0.96	0.90	0.96
	HIGH	1025	1.01	1.01	0.93
TXA/TXC030C4/D4	RATED	1000	1.02	1.01	0.98
	LOW	875	1.00	0.95	0.99
	HIGH	1125	1.04	1.06	0.97
TXA/TXC031C4/D4	RATED	1000	1.00	1.00	1.00
	LOW	875	0.98	0.94	1.01
	HIGH	1125	1.02	1.05	0.99
TXA/TXC035C4/D4	RATED	1100	1.03	1.05	0.99
	LOW	950	1.01	0.99	1.00
	HIGH	1250	1.04	1.11	0.98
TXA/TXC036C4/D4	RATED	1100	1.06	1.08	1.00
	LOW	950	1.04	1.02	1.01
	HIGH	1250	1.07	1.14	0.99
TXC031E5+BAY24X045	RATED	1000	1.06	1.06	0.99
	LOW	875	1.04	1.00	1.00
	HIGH	1125	1.07	1.11	0.98
TXC031S3	RATED	1000	1.06	1.06	0.99
	LOW	875	1.04	1.00	1.00
	HIGH	1125	1.07	1.11	0.98
TXC036E5+BAY24X045	RATED	1100	1.10	1.13	1.02
	LOW	950	1.08	1.05	1.03
	HIGH	1250	1.11	1.20	1.01
TXC036S3	RATED	1100	1.10	1.13	1.02
	LOW	950	1.08	1.05	1.03
	HIGH	1250	1.11	1.20	1.01
TXC037E5+BAY24X045	RATED	1100	1.10	1.13	1.02
	LOW	950	1.08	1.05	1.03
	HIGH	1250	1.11	1.20	1.01
TXC037S3	RATED	1100	1.10	1.13	1.02
	LOW	950	1.08	1.05	1.03
	HIGH	1250	1.11	1.20	1.01
TXH025A4	RATED	900	0.97	0.94	0.94
	LOW	775	0.94	0.88	0.95
	HIGH	1025	0.99	0.98	0.93
TXH033A4	RATED	1000	1.02	1.04	0.98
	LOW	875	1.00	0.98	0.99
	HIGH	1125	1.04	1.09	0.97
TXH041A4	RATED	1100	1.09	1.12	1.01
	LOW	950	1.07	1.05	1.02
	HIGH	1250	1.10	1.19	1.00



Performance Data Cooling

2TTA0036A3/4

2TTA0036A3/4 WITH TXA/TXC036C4/D4 AT 1200 CFM

O.D. D.B.	I.D. W.B.	TOT. CAP.	SENS. CAP. AT ENTERING D.B. TEMP.				TOTAL KW
			72	75	78	80	
85	59	31.4	26.1	29.4	31.8*	32.7*	3.35
	63	33.8	21.9	25.1	28.4	30.5	3.44
	67	36.2	17.1	20.4	23.6	25.8	3.53
	71	38.7	12.3	15.6	18.8	21.0	3.63
95	59	30.7	25.8	29.1	31.3*	32.1*	3.64
	63	33.0	21.5	24.8	28.0	30.2	3.73
	67	35.4	16.8	20.1	23.3	25.5	3.83
	71	37.9	12.0	15.3	18.5	20.6	3.93
105	59	28.7	24.9	28.0	29.6*	30.3*	3.89
	63	30.8	20.6	23.9	27.1	29.3	3.99
	67	33.0	15.9	19.1	22.4	24.5	4.08
	71	35.3	11.1	14.3	17.6	19.7	4.18
115	59	26.6	24.0	26.7	27.9*	28.5*	4.16
	63	28.6	19.7	22.9	26.2	28.4	4.25
	67	30.7	15.0	18.3	21.5	23.6	4.34
	71	32.8	10.2	13.4	16.7	18.8	4.43

CORRECTION FACTORS FOR OTHER AIRFLOWS (MULTIPLY DATA BY FACTOR)

AIRFLOW	TOTAL CAPACITY	SENSIBLE CAPACITY
LOW	1050	0.98
HIGH	1350	1.02

NOTE: ALL TABLES ABOVE ARE AT ARI RATING CONDITIONS RATED WITH 25 FEET OF REFRIGERANT LINES.
* DRY COIL CONDITION (TOTAL CAPACITY = SENSIBLE CAPACITY)
TOTAL CAPACITY, COMP. KW AND APP. DEW PT. ARE VALID ONLY FOR WET COIL. ALL TEMPERATURES IN DEGREES F.

CORRECTION FACTORS FOR OTHER COMBINATIONS (MULTIPLY DATA BY FACTOR)

INDOOR MODEL	CFM	MBTUH TOT	MBTUH SEN	SYST KW
CC/CUBA36A4AC	RATED	1100	0.98	0.96
	LOW	950	0.95	0.90
	HIGH	1250	1.00	1.00
CC/CUBB36A4AC	RATED	1100	0.99	0.97
	LOW	950	0.96	0.91
	HIGH	1250	1.01	1.03
CUBC36A4AC	RATED	1100	0.99	0.97
	LOW	950	0.96	0.91
	HIGH	1250	1.01	1.03
TDD060R9V3+TXC031S3	RATED	1200	1.06	1.07
	LOW	1050	1.04	1.00
	HIGH	1350	1.08	1.12
TDD060R9V3+TXC036S3	RATED	1200	1.09	1.09
	LOW	1050	1.06	1.03
	HIGH	1350	1.10	1.15
TDD060R9V3+TXH033A4+TAYTXV-3	RATED	1200	1.02	1.04
	LOW	1050	0.99	0.99
	HIGH	1350	1.03	1.09
TDD060R9V3+TXH041A4+TAYTXV-3	RATED	1200	1.08	1.08
	LOW	1050	1.06	1.02
	HIGH	1350	1.09	1.14
TDD080R9V3+TXC031S3	RATED	1100	1.06	1.03
	LOW	950	1.04	0.97
	HIGH	1250	1.08	1.10
TDD080R9V3+TXC036S3	RATED	1100	1.08	1.06
	LOW	950	1.06	0.99
	HIGH	1250	1.10	1.12
TDD080R9V3+TXH033A4+TAYTXV-3	RATED	1100	1.01	1.00
	LOW	950	0.99	0.94
	HIGH	1250	1.03	1.05
TDD080R9V3+TXH041A4+TAYTXV-3	RATED	1100	1.07	1.05
	LOW	950	1.05	0.98
	HIGH	1250	1.09	1.11

CORRECTION FACTORS FOR OTHER COMBINATIONS (MULTIPLY DATA BY FACTOR)

INDOOR MODEL	CFM	MBTUH TOT	MBTUH SEN	SYST KW
TDD100R9V5+TXC037S3	RATED	1200	1.10	1.11
	LOW	1050	1.07	1.04
	HIGH	1350	1.11	1.17
TDD100R9V5+TXH033A4+TAYTXV-3	RATED	1100	1.01	1.00
	LOW	950	0.99	0.94
	HIGH	1250	1.03	1.05
TDD100R9V5+TXH041A4+TAYTXV-3	RATED	1200	1.09	1.09
	LOW	1050	1.07	1.03
	HIGH	1350	1.10	1.15
TDY060R9V3+TXC031S3	RATED	1100	1.05	1.03
	LOW	950	1.03	0.97
	HIGH	1250	1.08	1.09
TDY060R9V3+TXC036S3	RATED	1100	1.07	1.05
	LOW	950	1.05	0.99
	HIGH	1250	1.09	1.12
TDY060R9V3+TXH033A4+TAYTXV-3	RATED	1100	1.01	1.01
	LOW	950	0.99	0.95
	HIGH	1250	1.03	1.06
TDY060R9V3+TXH041A4+TAYTXV-3	RATED	1100	1.07	1.05
	LOW	950	1.05	0.98
	HIGH	1250	1.09	1.11
TDY080R9V3+TXC031S3	RATED	1100	1.05	1.03
	LOW	950	1.03	0.97
	HIGH	1250	1.07	1.09
TDY080R9V3+TXC036S3	RATED	1100	1.07	1.05
	LOW	950	1.05	0.99
	HIGH	1250	1.09	1.12
TDY080R9V3+TXH033A4+TAYTXV-3	RATED	1100	1.00	1.00
	LOW	950	0.98	0.94
	HIGH	1250	1.01	1.05
TDY080R9V3+TXH041A4+TAYTXV-3	RATED	1100	1.06	1.04
	LOW	950	1.04	0.98
	HIGH	1250	1.09	1.10
TDY100R9V4+TXC037S3	RATED	1100	1.08	1.06
	LOW	950	1.06	1.00
	HIGH	1250	1.10	1.12
TDY100R9V4+TXH033A4+TAYTXV-3	RATED	1100	1.00	1.01
	LOW	950	0.98	0.95
	HIGH	1250	1.02	1.07
TDY100R9V4+TXH041A4+TAYTXV-3	RATED	1100	1.07	1.05
	LOW	950	1.05	0.98
	HIGH	1250	1.09	1.11
TUD060R9V3+TXC031S3	RATED	1200	1.06	1.07
	LOW	1050	1.04	1.01
	HIGH	1350	1.07	1.12
TUD060R9V3+TXC036S3	RATED	1200	1.08	1.09
	LOW	1050	1.06	1.02
	HIGH	1350	1.09	1.14
TUD060R9V3+TXH033A4+TAYTXV-3	RATED	1300	1.02	1.07
	LOW	1125	1.00	1.01
	HIGH	1475	1.03	1.12
TUD060R9V3+TXH041A4+TAYTXV-3	RATED	1300	1.08	1.11
	LOW	1125	1.06	1.04
	HIGH	1475	1.09	1.18
TUD080R9V3+TXC031S3	RATED	1200	1.06	1.07
	LOW	1050	1.04	1.01
	HIGH	1350	1.07	1.12
TUD080R9V3+TXC036S3	RATED	1200	1.08	1.08
	LOW	1050	1.06	1.02
	HIGH	1350	1.09	1.14
TUD080R9V3+TXH033A4+TAYTXV-3	RATED	1200	1.01	1.04
	LOW	1050	0.99	0.99
	HIGH	1350	1.03	1.09



Performance Data Cooling

2TTA0036A3/4

CORRECTION FACTORS FOR OTHER COMBINATIONS (MULTIPLY DATA BY FACTOR)

INDOOR MODEL		CFM	MBTUH TOT	MBTUH SEN	SYST KW
TUD080R9V3+TXH041A4+TAYTXV-3	RATED	1200	1.08	1.08	0.97
	LOW	1050	1.06	1.01	0.98
	HIGH	1350	1.09	1.13	0.96
TUD100R9V5+TXC037S3	RATED	1200	1.09	1.10	0.96
	LOW	1050	1.07	1.03	0.97
	HIGH	1350	1.10	1.17	0.95
TUD100R9V5+TXH033A4+TAYTXV-3	RATED	1200	1.02	1.05	0.93
	LOW	1050	1.00	1.00	0.94
	HIGH	1350	1.03	1.10	0.92
TUD100R9V5+TXH041A4+TAYTXV-3	RATED	1200	1.09	1.09	0.95
	LOW	1050	1.07	1.03	0.96
	HIGH	1350	1.10	1.15	0.94
TUY060R9V3+TXC031S3	RATED	1100	1.05	1.03	0.96
	LOW	950	1.03	0.97	0.97
	HIGH	1250	1.08	1.10	0.95
TUY060R9V3+TXC036S3	RATED	1100	1.07	1.05	0.96
	LOW	950	1.05	0.99	0.97
	HIGH	1250	1.09	1.12	0.95
TUY060R9V3+TXH033A4+TAYTXV-3	RATED	1100	1.01	1.01	0.94
	LOW	950	0.99	0.95	0.95
	HIGH	1250	1.03	1.06	0.93
TUY060R9V3+TXH041A4+TAYTXV-3	RATED	1000	1.06	1.01	0.93
	LOW	875	1.03	0.95	0.94
	HIGH	1125	1.08	1.06	0.92
TUY080R9V3+TXC031S3	RATED	1000	1.04	0.99	0.94
	LOW	875	1.02	0.93	0.95
	HIGH	1125	1.06	1.04	0.93
TUY080R9V3+TXC036S3	RATED	1000	1.06	1.01	0.94
	LOW	875	1.04	0.95	0.95
	HIGH	1125	1.08	1.06	0.93
TUY080R9V3+TXH033A4+TAYTXV-3	RATED	1000	0.99	0.97	0.91
	LOW	875	0.97	0.92	0.92
	HIGH	1125	1.01	1.02	0.90
TUY080R9V3+TXH041A4+TAYTXV-3	RATED	1000	1.06	1.01	0.93
	LOW	875	1.03	0.95	0.94
	HIGH	1125	1.08	1.06	0.92
TUY100R9V4+TXC037S3	RATED	1100	1.08	1.07	0.94
	LOW	950	1.05	1.00	0.95
	HIGH	1250	1.10	1.13	0.93
TUY100R9V4+TXH033A4+TAYTXV-3	RATED	1100	1.01	1.02	0.92
	LOW	950	0.99	0.96	0.93
	HIGH	1250	1.03	1.08	0.91
TUY100R9V4+TXH041A4+TAYTXV-3	RATED	1100	1.07	1.05	0.94
	LOW	950	1.05	0.99	0.95
	HIGH	1250	1.09	1.12	0.93
TVF030A14	RATED	1100	1.00	1.00	0.97
	LOW	950	0.98	0.94	0.98
	HIGH	1250	1.02	1.06	0.96
TVF036A14	RATED	1200	1.04	1.06	1.00
	LOW	1050	1.02	1.00	1.01
	HIGH	1350	1.05	1.12	0.99
TWE030C14	RATED	900	0.96	0.89	0.92
	LOW	775	0.93	0.83	0.93
	HIGH	1025	0.98	0.94	0.91
TWE030P13	RATED	900	0.99	0.93	0.93
	LOW	775	0.96	0.87	0.94
	HIGH	1025	1.01	0.97	0.92
TWE031E13	RATED	1200	1.03	1.04	0.97
	LOW	1050	1.01	0.99	0.98
	HIGH	1350	1.04	1.09	0.96
TWE036C14	RATED	1200	1.02	1.03	0.98
	LOW	1050	1.00	0.98	0.99
	HIGH	1350	1.03	1.08	0.98

CORRECTION FACTORS FOR OTHER COMBINATIONS (MULTIPLY DATA BY FACTOR)

INDOOR MODEL		CFM	MBTUH TOT	MBTUH SEN	SYST KW
TWE036P13	RATED	1200	1.04	1.04	0.99
	LOW	1050	1.02	0.97	1.00
	HIGH	1350	1.05	1.09	0.98
TWE037E13	RATED	1200	1.07	1.08	0.95
	LOW	1050	1.05	1.01	0.96
	HIGH	1350	1.08	1.13	0.94
TWE040E13	RATED	1200	1.12	1.15	0.97
	LOW	1050	1.10	1.08	0.98
	HIGH	1350	1.13	1.21	0.96
TWE042C14	RATED	1400	1.05	1.12	1.02
	LOW	1225	1.03	1.05	1.03
	HIGH	1575	1.06	1.17	1.01
TWE042P13	RATED	1400	1.08	1.14	1.03
	LOW	1225	1.07	1.07	1.04
	HIGH	1575	1.09	1.20	1.02
TWG030A14	RATED	1100	0.97	0.96	0.95
	LOW	950	0.95	0.90	0.96
	HIGH	1250	0.99	1.01	0.94
TWG036A14	RATED	1200	0.99	1.01	0.99
	LOW	1050	0.97	0.96	1.00
	HIGH	1350	1.00	1.06	0.98
TWG037A14	RATED	1200	1.00	1.02	0.97
	LOW	1050	0.98	0.97	0.98
	HIGH	1350	1.01	1.07	0.96
TWG042A14	RATED	1400	1.01	1.06	0.99
	LOW	1225	0.99	1.00	1.00
	HIGH	1575	1.02	1.12	0.98
TXA/TXC030C4/D4	RATED	1100	0.98	0.95	0.96
	LOW	950	0.95	0.90	0.97
	HIGH	1250	1.00	1.00	0.95
TXA/TXC031C4/D4	RATED	1100	0.98	0.97	0.96
	LOW	950	0.95	0.91	0.97
	HIGH	1250	1.00	1.02	0.95
TXA/TXC035C4/D4	RATED	1100	0.98	0.95	0.96
	LOW	950	0.95	0.90	0.97
	HIGH	1250	1.00	1.00	0.95
TXA/TXC036C4/D4	RATED	1200	1.00	1.00	1.00
	LOW	1050	0.98	0.94	1.01
	HIGH	1350	1.02	1.05	0.99
TXA/TXC037C4	RATED	1200	1.00	1.00	1.00
	LOW	1050	0.98	0.94	1.01
	HIGH	1350	1.02	1.05	0.99
TXA/TXC042C4	RATED	1200	1.03	1.03	1.00
	LOW	1050	1.01	0.97	1.01
	HIGH	1350	1.05	1.09	0.99
TXA/TXC043C4	RATED	1400	1.05	1.10	1.02
	LOW	1225	1.03	1.04	1.03
	HIGH	1575	1.07	1.16	1.01
TXC031E5+BAY24X045	RATED	1100	1.05	1.02	0.98
	LOW	950	1.02	0.96	0.99
	HIGH	1250	1.07	1.07	0.97
TXC031S3	RATED	1100	1.05	1.02	0.98
	LOW	950	1.02	0.96	0.99
	HIGH	1250	1.07	1.07	0.97
TXC036E5+BAY24X045	RATED	1200	1.07	1.08	1.01
	LOW	1050	1.05	1.01	1.02
	HIGH	1350	1.09	1.13	1.00
TXC036S3	RATED	1200	1.07	1.08	1.01
	LOW	1050	1.05	1.01	1.02
	HIGH	1350	1.09	1.13	1.00
TXC037E5+BAY24X045	RATED	1200	1.07	1.08	1.01
	LOW	1050	1.05	1.01	1.02
	HIGH	1350	1.09	1.13	1.00



Performance Data Cooling

2TTA0036A3/4

CORRECTION FACTORS FOR OTHER COMBINATIONS (MULTIPLY DATA BY FACTOR)

INDOOR MODEL		CFM	MBTUH TOT	MBTUH SEN	SYST KW
TXC037S3	RATED	1200	1.07	1.08	1.01
	LOW	1050	1.05	1.01	1.02
	HIGH	1350	1.09	1.13	1.00
TXH033A4	RATED	1100	0.97	0.98	0.96
	LOW	950	0.94	0.92	0.97
	HIGH	1250	0.99	1.04	0.95

CORRECTION FACTORS FOR OTHER COMBINATIONS (MULTIPLY DATA BY FACTOR)

INDOOR MODEL		CFM	MBTUH TOT	MBTUH SEN	SYST KW
TXH041A4	RATED	1400	1.07	1.13	1.03
	LOW	1225	1.05	1.06	1.04
	HIGH	1575	1.08	1.19	1.02



Performance Data Cooling

2TTA0042A3/4

2TTA0042A3/4 WITH TXA/TXC043C4 AT 1400 CFM

O.D. D.B.	I.D. W.B.	TOT. CAP.	SENS. CAP. AT ENTERING D.B. TEMP.				TOTAL KW
			72	75	78	80	
85	59	36.1	30.3	34.0	36.9*	37.8*	3.78
	63	39.2	25.5	29.3	33.0	35.5	3.89
	67	42.4	20.1	23.9	27.7	30.2	4.01
	71	45.8	14.6	18.4	22.2	24.7	4.13
95	59	35.4	29.9	33.7	36.3*	37.2*	4.11
	63	38.4	25.1	28.9	32.6	35.2	4.23
	67	41.5	19.7	23.6	27.3	29.8	4.35
	71	44.7	14.3	18.1	21.8	24.3	4.47
105	59	33.0	28.9	32.4	34.3*	35.2*	4.37
	63	35.9	24.1	27.9	31.6	34.1	4.48
	67	38.8	18.7	22.4	26.2	28.7	4.60
	71	41.8	13.2	16.9	20.7	23.2	4.72
115	59	30.7	27.9	31.0	32.4*	33.2*	4.63
	63	33.3	23.0	26.8	30.6	33.1	4.74
	67	36.1	17.6	21.4	25.2	27.7	4.85
	71	38.9	12.1	15.9	19.7	22.2	4.96

CORRECTION FACTORS FOR OTHER AIRFLOWS (MULTIPLY DATA BY FACTOR)

AIRFLOW	TOTAL CAPACITY	SENSIBLE CAPACITY
LOW	1.225	0.98
HIGH	1.575	1.05

NOTE: ALL TABLES ABOVE ARE AT ARI RATING CONDITIONS RATED WITH 25 FEET OF REFRIGERANT LINES.
* DRY COIL CONDITION (TOTAL CAPACITY = SENSIBLE CAPACITY)
TOTAL CAPACITY, COMP. KW AND APP. DEW PT. ARE VALID ONLY FOR WET COIL. ALL TEMPERATURES IN DEGREES F.

CORRECTION FACTORS FOR OTHER COMBINATIONS (MULTIPLY DATA BY FACTOR)

INDOOR MODEL	CFM	MBTUH TOT	MBTUH SEN	SYST KW
CC/CUBB42A4AC	RATED	1200	0.96	0.93
	LOW	1050	0.93	0.87
	HIGH	1350	0.98	0.98
CUBC42A4AC	RATED	1200	0.96	0.93
	LOW	1050	0.93	0.87
	HIGH	1350	0.98	0.98
TDD080R9V3+TXC036S3	RATED	1300	1.05	1.03
	LOW	1125	1.02	0.97
	HIGH	1475	1.07	1.10
TDD080R9V3+TXH041A4+TAYTXV-3	RATED	1300	1.03	1.02
	LOW	1125	1.01	0.96
	HIGH	1475	1.06	1.08
TDD080R9V3+TXH054A4+TAYTXV-3	RATED	1300	1.07	1.06
	LOW	1125	1.04	0.99
	HIGH	1475	1.09	1.13
TDD080R9V3+TXH063P3	RATED	1300	1.09	1.09
	LOW	1125	1.06	1.01
	HIGH	1475	1.12	1.15
TDD100R9V5+TXC037S3	RATED	1400	1.06	1.08
	LOW	1225	1.04	1.01
	HIGH	1575	1.09	1.14
TDD100R9V5+TXC054S3	RATED	1400	1.05	1.05
	LOW	1225	1.03	0.99
	HIGH	1575	1.07	1.12
TDD100R9V5+TXH041A4+TAYTXV-3	RATED	1400	1.06	1.07
	LOW	1225	1.04	1.01
	HIGH	1575	1.09	1.12
TDD100R9V5+TXH054A4+TAYTXV-3	RATED	1400	1.10	1.12
	LOW	1225	1.08	1.05
	HIGH	1575	1.12	1.19
TDD100R9V5+TXH063P3	RATED	1400	1.11	1.13
	LOW	1225	1.09	1.06
	HIGH	1575	1.13	1.20

CORRECTION FACTORS FOR OTHER COMBINATIONS (MULTIPLY DATA BY FACTOR)

INDOOR MODEL	CFM	MBTUH TOT	MBTUH SEN	SYST KW
TDD120R9V5+TXH041A4+TAYTXV-3	RATED	1400	1.06	1.07
	LOW	1225	1.04	1.01
	HIGH	1575	1.09	1.13
TDD120R9V5+TXH054A4+TAYTXV-3	RATED	1400	1.10	1.12
	LOW	1225	1.08	1.05
	HIGH	1575	1.12	1.19
TDD120R9V5+TXH063P3	RATED	1400	1.11	1.13
	LOW	1225	1.09	1.06
	HIGH	1575	1.14	1.20
TDY100R9V4+TXC037S3	RATED	1200	1.04	1.00
	LOW	1050	1.01	0.94
	HIGH	1350	1.06	1.05
TDY100R9V4+TXC054S3	RATED	1200	1.02	0.98
	LOW	1050	0.99	0.92
	HIGH	1350	1.04	1.04
TDY120R9V5+TXH041A4+TAYTXV-3	RATED	1200	1.02	0.99
	LOW	1050	0.99	0.93
	HIGH	1350	1.05	1.04
TDY120R9V5+TXH054A4+TAYTXV-3	RATED	1200	1.06	1.04
	LOW	1050	1.03	0.97
	HIGH	1350	1.09	1.10
TDY120R9V5+TXH063P3	RATED	1200	1.09	1.06
	LOW	1050	1.06	0.99
	HIGH	1350	1.11	1.12
TUD080R9V3+TXC036S3	RATED	1400	1.05	1.06
	LOW	1225	1.03	0.99
	HIGH	1575	1.07	1.12
TUD080R9V3+TXH041A4+TAYTXV-3	RATED	1400	1.05	1.05
	LOW	1225	1.03	1.00
	HIGH	1575	1.06	1.11
TUD080R9V3+TXH054A4+TAYTXV-3	RATED	1400	1.09	1.10
	LOW	1225	1.07	1.04
	HIGH	1575	1.10	1.17
TUD080R9V3+TXH063P3	RATED	1400	1.10	1.12
	LOW	1225	1.08	1.05
	HIGH	1575	1.12	1.18
TUD100R9V5+TXC037S3	RATED	1400	1.06	1.07
	LOW	1225	1.04	1.01
	HIGH	1575	1.08	1.14
TUD100R9V5+TXC054S3	RATED	1400	1.05	1.05
	LOW	1225	1.03	0.99
	HIGH	1575	1.07	1.11
TUD100R9V5+TXH041A4+TAYTXV-3	RATED	1500	1.07	1.10
	LOW	1300	1.05	1.03
	HIGH	1700	1.09	1.16
TUD100R9V5+TXH054A4+TAYTXV-3	RATED	1500	1.11	1.15
	LOW	1300	1.09	1.07
	HIGH	1700	1.12	1.22
TUD100R9V5+TXH063P3	RATED	1400	1.11	1.13
	LOW	1225	1.09	1.06
	HIGH	1575	1.13	1.20
TUD120R9V5+TXH041A4+TAYTXV-3	RATED	1400	1.06	1.07
	LOW	1225	1.04	1.01
	HIGH	1575	1.09	1.13
TUD120R9V5+TXH054A4+TAYTXV-3	RATED	1400	1.10	1.12
	LOW	1225	1.08	1.05
	HIGH	1575	1.12	1.19
TUD120R9V5+TXH063P3	RATED	1400	1.11	1.13
	LOW	1225	1.09	1.06
	HIGH	1575	1.14	1.20
TUD140R9V5+TXH041A4+TAYTXV-3	RATED	1400	1.06	1.07
	LOW	1225	1.03	1.00
	HIGH	1575	1.08	1.12



Performance Data Cooling

2TTA0042A3/4

CORRECTION FACTORS FOR OTHER COMBINATIONS (MULTIPLY DATA BY FACTOR)

INDOOR MODEL		CFM	MBTUH TOT	MBTUH SEN	SYST KW
TUD140R9V5+TXH054A4+TAYTXV-3	RATED	1400	1.10	1.12	0.97
	LOW	1225	1.08	1.05	0.98
	HIGH	1575	1.12	1.19	0.96
TUD140R9V5+TXH063P3	RATED	1400	1.11	1.13	0.97
	LOW	1225	1.09	1.06	0.98
	HIGH	1575	1.14	1.20	0.96
TUY080R9V3+TXC036S3	RATED	1200	1.04	1.00	0.95
	LOW	1050	1.02	0.94	0.96
	HIGH	1350	1.06	1.05	0.94
TUY080R9V3+TXH041A4+TAYTXV-3	RATED	1200	1.03	0.99	0.94
	LOW	1050	1.00	0.93	0.95
	HIGH	1350	1.05	1.04	0.93
TUY080R9V3+TXH054A4+TAYTXV-3	RATED	1200	1.06	1.03	0.96
	LOW	1050	1.03	0.97	0.97
	HIGH	1350	1.09	1.10	0.95
TUY080R9V3+TXH063P3	RATED	1200	1.09	1.06	0.96
	LOW	1050	1.06	0.99	0.97
	HIGH	1350	1.11	1.12	0.95
TUY100R9V4+TXC037S3	RATED	1200	1.04	1.01	0.93
	LOW	1050	1.01	0.95	0.94
	HIGH	1350	1.06	1.06	0.93
TUY100R9V4+TXC054S3	RATED	1200	1.03	0.99	0.93
	LOW	1050	1.00	0.93	0.94
	HIGH	1350	1.05	1.05	0.92
TUY100R9V4+TXH041A4+TAYTXV-3	RATED	1200	1.02	0.99	0.93
	LOW	1050	0.99	0.93	0.94
	HIGH	1350	1.04	1.04	0.92
TUY100R9V4+TXH054A4+TAYTXV-3	RATED	1200	1.07	1.04	0.96
	LOW	1050	1.04	0.98	0.97
	HIGH	1350	1.09	1.11	0.95
TUY100R9V4+TXH063P3	RATED	1200	1.09	1.06	0.96
	LOW	1050	1.05	0.99	0.97
	HIGH	1350	1.11	1.12	0.95
TUY120R9V5+TXH041A4+TAYTXV-3	RATED	1200	1.04	1.00	0.93
	LOW	1050	1.01	0.94	0.94
	HIGH	1350	1.06	1.05	0.92
TUY120R9V5+TXH054A4+TAYTXV-3	RATED	1200	1.07	1.04	0.95
	LOW	1050	1.04	0.98	0.96
	HIGH	1350	1.09	1.11	0.94
TUY120R9V5+TXH063P3	RATED	1200	1.09	1.06	0.95
	LOW	1050	1.05	0.98	0.96
	HIGH	1350	1.11	1.12	0.94
TVF036A14	RATED	1400	1.03	1.05	1.02
	LOW	1225	1.01	0.99	1.03
	HIGH	1575	1.04	1.10	1.01
TWE036C14	RATED	1400	1.00	1.02	1.00
	LOW	1225	0.98	0.97	1.01
	HIGH	1575	1.01	1.07	0.99
TWE036P13	RATED	1400	1.01	1.01	0.99
	LOW	1225	0.99	0.96	1.00
	HIGH	1575	1.02	1.06	0.98
TWE037E13	RATED	1400	1.03	1.04	0.96
	LOW	1225	1.01	0.98	0.97
	HIGH	1575	1.04	1.10	0.95
TWE040E13	RATED	1400	1.08	1.11	0.97
	LOW	1225	1.06	1.04	0.98
	HIGH	1575	1.10	1.18	0.96
TWE042C14	RATED	1400	1.02	1.04	0.99
	LOW	1225	1.00	0.98	1.00
	HIGH	1575	1.03	1.09	0.98
TWE042P13	RATED	1400	1.05	1.06	1.00
	LOW	1225	1.03	1.00	1.01
	HIGH	1575	1.06	1.11	0.99

CORRECTION FACTORS FOR OTHER COMBINATIONS (MULTIPLY DATA BY FACTOR)

INDOOR MODEL		CFM	MBTUH TOT	MBTUH SEN	SYST KW
TWE048C14	RATED	1600	1.06	1.11	1.03
	LOW	1400	1.04	1.05	1.04
	HIGH	1800	1.07	1.17	1.02
TWE048P13	RATED	1600	1.13	1.19	1.04
	LOW	1400	1.10	1.11	1.05
	HIGH	1800	1.14	1.26	1.03
TWE049E13	RATED	1400	1.11	1.13	0.98
	LOW	1225	1.09	1.07	0.99
	HIGH	1575	1.13	1.20	0.97
TWG036A14	RATED	1200	0.96	0.94	0.96
	LOW	1050	0.93	0.89	0.97
	HIGH	1350	0.97	0.98	0.95
TWG037A14	RATED	1300	0.96	0.97	0.95
	LOW	1125	0.94	0.91	0.96
	HIGH	1475	0.98	1.01	0.94
TWG042A14	RATED	1400	0.99	0.99	0.97
	LOW	1225	0.97	0.94	0.98
	HIGH	1575	1.01	1.04	0.96
TWG048A14	RATED	1600	1.06	1.12	1.02
	LOW	1400	1.04	1.05	1.03
	HIGH	1800	1.07	1.17	1.01
TXA/TXC036C4/D4	RATED	1200	0.99	0.95	0.96
	LOW	1050	0.96	0.89	0.97
	HIGH	1350	1.01	1.00	0.94
TXA/TXC037C4	RATED	1400	1.00	1.01	0.98
	LOW	1225	0.98	0.95	0.99
	HIGH	1575	1.02	1.06	0.97
TXA/TXC042C4	RATED	1200	1.00	0.96	0.97
	LOW	1050	0.97	0.90	0.97
	HIGH	1350	1.02	1.01	0.95
TXA/TXC043C4	RATED	1400	1.00	1.00	1.00
	LOW	1225	0.98	0.94	1.01
	HIGH	1575	1.02	1.05	0.99
TXA/TXC048C4	RATED	1400	1.04	1.05	1.00
	LOW	1225	1.02	0.98	1.01
	HIGH	1575	1.06	1.10	0.98
TXC036E5+BAY24X045	RATED	1300	1.04	1.03	0.98
	LOW	1125	1.01	0.97	0.99
	HIGH	1475	1.05	1.09	0.97
TXC036S3	RATED	1300	1.04	1.03	0.98
	LOW	1125	1.01	0.97	0.99
	HIGH	1475	1.05	1.09	0.97
TXC037E5+BAY24X045	RATED	1400	1.06	1.07	1.00
	LOW	1225	1.03	1.00	1.01
	HIGH	1575	1.08	1.13	0.99
TXC037S3	RATED	1400	1.06	1.07	1.00
	LOW	1225	1.03	1.00	1.01
	HIGH	1575	1.08	1.13	0.99
TXC054E5+BAY24X045	RATED	1600	1.06	1.10	1.02
	LOW	1400	1.04	1.04	1.03
	HIGH	1800	1.07	1.17	1.01
TXC054S3	RATED	1600	1.06	1.10	1.02
	LOW	1400	1.04	1.04	1.03
	HIGH	1800	1.07	1.17	1.01
TXH041A4	RATED	1400	1.05	1.06	1.00
	LOW	1225	1.03	0.99	1.01
	HIGH	1575	1.07	1.11	0.98
TXH054A4	RATED	1600	1.11	1.18	1.05
	LOW	1400	1.09	1.11	1.06
	HIGH	1800	1.12	1.25	1.04



Performance Data Cooling

2TTA0048A3/4

2TTA0048A3/4 WITH TXA/TXC048C4 AT 1400 CFM

O.D. D.B.	I.D. W.B.	TOT. CAP.	SENS. CAP. AT ENTERING D.B. TEMP.				TOTAL KW
			72	75	78	80	
85	59	40.0	32.7	36.6	40.2*	41.3*	4.20
	63	43.2	27.7	31.6	35.5	38.1	4.35
	67	46.6	22.1	26.0	29.9	32.5	4.50
	71	50.0	16.3	20.2	24.1	26.7	4.66
95	59	38.9	32.2	36.1	39.3*	40.4*	4.57
	63	42.1	27.2	31.1	35.0	37.6	4.73
	67	45.3	21.6	25.5	29.4	32.0	4.90
	71	48.7	15.9	19.8	23.7	26.3	5.07
105	59	35.6	30.7	34.5	36.7*	37.7*	4.88
	63	38.5	25.7	29.6	33.5	36.1	5.05
	67	41.6	20.1	24.0	27.9	30.5	5.22
	71	44.7	14.4	18.3	22.2	24.8	5.41
115	59	32.3	29.2	32.5	34.0*	34.9*	5.19
	63	35.0	24.2	28.1	32.0	34.6	5.37
	67	37.8	18.6	22.5	26.4	29.0	5.55
	71	40.7	12.9	16.8	20.7	23.3	5.74

CORRECTION FACTORS FOR OTHER AIRFLOWS (MULTIPLY DATA BY FACTOR)

AIRFLOW	TOTAL CAPACITY	SENSIBLE CAPACITY
LOW	1225	0.97
HIGH	1575	1.02

NOTE: ALL TABLES ABOVE ARE AT ARI RATING CONDITIONS RATED WITH 25 FEET OF REFRIGERANT LINES.
* DRY COIL CONDITION (TOTAL CAPACITY = SENSIBLE CAPACITY)
TOTAL CAPACITY, COMP. KW AND APP. DEW PT. ARE VALID ONLY FOR WET COIL. ALL TEMPERATURES IN DEGREES F.

CORRECTION FACTORS FOR OTHER COMBINATIONS (MULTIPLY DATA BY FACTOR)

INDOOR MODEL	CFM	MBTUH TOT	MBTUH SEN	SYST KW
CC/CUBB48A4AC	RATED	1300	0.98	0.98
	LOW	1125	0.95	0.90
	HIGH	1475	1.00	1.02
CC/CUBC48A4AC	RATED	1600	1.00	1.03
	LOW	1400	0.98	0.97
	HIGH	1800	1.01	1.09
CC/CUBD60A5AC	RATED	1800	1.07	1.13
	LOW	1575	1.05	1.06
	HIGH	2025	1.08	1.19
CUBD48A4AC	RATED	1600	1.00	1.03
	LOW	1400	0.98	0.97
	HIGH	1800	1.01	1.09
TDD100R9V5+TXH054A4+TAYTXV-3	RATED	1600	1.09	1.14
	LOW	1400	1.07	1.07
	HIGH	1800	1.10	1.21
TDD100R9V5+TXH063P3	RATED	1600	1.11	1.16
	LOW	1400	1.09	1.09
	HIGH	1800	1.13	1.23
TDD120R9V5+TXH041A4+TAYTXV-3	RATED	1600	1.06	1.09
	LOW	1400	1.04	1.03
	HIGH	1800	1.07	1.15
TDD120R9V5+TXH054A4+TAYTXV-3	RATED	1600	1.10	1.15
	LOW	1400	1.08	1.08
	HIGH	1800	1.12	1.22
TDD120R9V5+TXH063P3	RATED	1600	1.12	1.17
	LOW	1400	1.10	1.10
	HIGH	1800	1.14	1.24
TDY100R9V4+TXH063P3	RATED	1500	1.10	1.12
	LOW	1300	1.08	1.05
	HIGH	1700	1.11	1.19
TDY120R9V5+TXH054A4+TAYTXV-3	RATED	1400	1.08	1.08
	LOW	1225	1.06	1.02
	HIGH	1575	1.10	1.14

CORRECTION FACTORS FOR OTHER COMBINATIONS (MULTIPLY DATA BY FACTOR)

INDOOR MODEL	CFM	MBTUH TOT	MBTUH SEN	SYST KW
TDY120R9V5+TXH063P3	RATED	1400	1.09	1.10
	LOW	1225	1.07	1.03
	HIGH	1575	1.11	1.16
TUD100R9V5+TXH063P3	RATED	1600	1.10	1.15
	LOW	1400	1.08	1.08
	HIGH	1800	1.11	1.22
TUD120R9V5+TXC065S3	RATED	1600	1.09	1.12
	LOW	1400	1.07	1.06
	HIGH	1800	1.10	1.19
TUD120R9V5+TXH041A4+TAYTXV-3	RATED	1600	1.06	1.09
	LOW	1400	1.04	1.02
	HIGH	1800	1.07	1.14
TUD120R9V5+TXH054A4+TAYTXV-3	RATED	1600	1.10	1.15
	LOW	1400	1.08	1.08
	HIGH	1800	1.11	1.22
TUD120R9V5+TXH063P3	RATED	1600	1.11	1.16
	LOW	1400	1.09	1.09
	HIGH	1800	1.12	1.23
TUD140R9V5+TXC065S3	RATED	1600	1.09	1.13
	LOW	1400	1.07	1.06
	HIGH	1800	1.10	1.19
TUD140R9V5+TXH041A4+TAYTXV-3	RATED	1600	1.06	1.09
	LOW	1400	1.04	1.03
	HIGH	1800	1.07	1.15
TUD140R9V5+TXH054A4+TAYTXV-3	RATED	1600	1.10	1.15
	LOW	1400	1.08	1.08
	HIGH	1800	1.12	1.22
TUD140R9V5+TXH063P3	RATED	1600	1.11	1.16
	LOW	1400	1.09	1.09
	HIGH	1800	1.13	1.23
TUY100R9V4+TXH054A4+TAYTXV-3	RATED	1400	1.08	1.08
	LOW	1225	1.06	1.02
	HIGH	1575	1.09	1.14
TUY100R9V4+TXH063P3	RATED	1400	1.09	1.09
	LOW	1225	1.07	1.03
	HIGH	1575	1.11	1.16
TUY120R9V5+TXC065S3	RATED	1400	1.07	1.06
	LOW	1225	1.05	1.00
	HIGH	1575	1.09	1.12
TUY120R9V5+TXH041A4+TAYTXV-3	RATED	1400	1.04	1.03
	LOW	1225	1.02	0.98
	HIGH	1575	1.06	1.08
TUY120R9V5+TXH054A4+TAYTXV-3	RATED	1400	1.08	1.08
	LOW	1225	1.06	1.02
	HIGH	1575	1.10	1.15
TUY120R9V5+TXH063P3	RATED	1400	1.09	1.10
	LOW	1225	1.07	1.03
	HIGH	1575	1.11	1.16
TWE042C14	RATED	1600	1.01	1.05
	LOW	1400	0.99	1.00
	HIGH	1800	1.02	1.10
TWE042P13	RATED	1600	1.05	1.08
	LOW	1400	1.03	1.03
	HIGH	1800	1.06	1.14
TWE048C14	RATED	1600	1.04	1.08
	LOW	1400	1.02	1.01
	HIGH	1800	1.05	1.13
TWE048P13	RATED	1600	1.10	1.15
	LOW	1400	1.08	1.08
	HIGH	1800	1.11	1.22
TWE049E13	RATED	1500	1.11	1.15
	LOW	1300	1.09	1.07
	HIGH	1700	1.14	1.22



Performance Data Cooling

2TTA0048A3/4

CORRECTION FACTORS FOR OTHER COMBINATIONS (MULTIPLY DATA BY FACTOR)

INDOOR MODEL		CFM	MBTUH TOT	MBTUH SEN	SYST KW
TWE060C/D15	RATED	1800	1.07	1.14	1.11
	LOW	1575	1.06	1.07	1.12
	HIGH	2025	1.08	1.19	1.10
TWE060P13	RATED	1800	1.11	1.20	1.09
	LOW	1575	1.09	1.13	1.10
	HIGH	2025	1.13	1.27	1.08
TWE063P13	RATED	1600	1.10	1.15	1.10
	LOW	1400	1.08	1.08	1.11
	HIGH	1800	1.11	1.22	1.09
TWE065E13	RATED	1600	1.12	1.18	1.04
	LOW	1400	1.10	1.11	1.05
	HIGH	1800	1.13	1.25	1.03
TWG042A14	RATED	1500	0.97	0.98	0.99
	LOW	1300	0.95	0.92	1.00
	HIGH	1700	0.99	1.02	0.98
TWG048A14	RATED	1600	1.03	1.07	1.04
	LOW	1400	1.01	1.01	1.05
	HIGH	1800	1.04	1.12	1.03
TWG060A15	RATED	1800	1.08	1.15	1.10
	LOW	1575	1.07	1.08	1.11
	HIGH	2025	1.09	1.20	1.08
TXA/TXC042C4	RATED	1200	0.97	0.93	0.97
	LOW	1050	0.94	0.87	0.98
	HIGH	1350	0.99	0.97	0.95
TXA/TXC043C4	RATED	1600	1.01	1.04	1.02
	LOW	1400	0.99	0.98	1.03
	HIGH	1800	1.02	1.09	1.01
TXA/TXC048C4	RATED	1400	1.00	1.00	1.00
	LOW	1225	0.97	0.94	1.01
	HIGH	1575	1.02	1.05	0.99
TXA/TXC049C4	RATED	1600	1.04	1.08	1.03
	LOW	1400	1.02	1.01	1.04
	HIGH	1800	1.06	1.13	1.02

CORRECTION FACTORS FOR OTHER COMBINATIONS (MULTIPLY DATA BY FACTOR)

INDOOR MODEL		CFM	MBTUH TOT	MBTUH SEN	SYST KW
TXA/TXC050C4	RATED	1600	1.04	1.08	1.03
	LOW	1400	1.02	1.01	1.04
	HIGH	1800	1.06	1.13	1.02
TXA/TXC060C5	RATED	1700	1.07	1.11	1.06
	LOW	1475	1.05	1.04	1.07
	HIGH	1925	1.08	1.17	1.05
TXA/TXC061C5	RATED	1800	1.08	1.15	1.07
	LOW	1575	1.07	1.08	1.08
	HIGH	2025	1.09	1.21	1.06
TXC054E5+BAY24X045	RATED	1700	1.06	1.10	1.05
	LOW	1475	1.04	1.04	1.06
	HIGH	1925	1.07	1.17	1.04
TXC054S3	RATED	1700	1.06	1.10	1.05
	LOW	1475	1.04	1.04	1.06
	HIGH	1925	1.07	1.17	1.04
TXC065S3	RATED	1800	1.09	1.16	1.07
	LOW	1575	1.07	1.09	1.08
	HIGH	2025	1.10	1.23	1.06
TXH041A4	RATED	1600	1.03	1.07	1.03
	LOW	1400	1.01	1.01	1.04
	HIGH	1800	1.04	1.12	1.02
TXH054A4	RATED	1700	1.08	1.16	1.06
	LOW	1475	1.06	1.08	1.07
	HIGH	1925	1.09	1.23	1.04
TXH063P3-A	RATED	1800	1.11	1.20	1.08
	LOW	1575	1.09	1.13	1.09
	HIGH	2025	1.13	1.27	1.07
TXH063P3-B	RATED	1800	1.12	1.22	1.09
	LOW	1575	1.10	1.14	1.10
	HIGH	2025	1.14	1.29	1.08



Performance Data Cooling

2TTA0060A3/4

2TTA0060A3/4 WITH TXA/TXC061C5 AT 1800 CFM

O.D. D.B.	I.D. W.B.	TOT. CAP.	SENS. CAP. AT ENTERING D.B. TEMP.				TOTAL KW
			72	75	78	80	
85	59	54.1	43.7	48.7	53.7	55.2*	5.56
	63	58.1	37.1	42.1	47.1	50.5	5.73
	67	62.3	29.8	34.8	39.8	43.2	5.92
	71	66.6	22.3	27.4	32.3	35.7	6.11
95	59	51.7	42.6	47.6	52.0*	53.3*	5.99
	63	55.5	36.0	41.0	46.0	49.3	6.17
	67	59.5	28.7	33.6	38.7	42.0	6.36
	71	63.6	21.2	26.2	31.2	34.5	6.56
105	59	48.6	41.2	46.1	49.5*	50.8*	6.45
	63	52.3	34.6	39.5	44.6	47.9	6.63
	67	56.0	27.2	32.3	37.3	40.6	6.82
	71	59.9	19.8	24.8	29.8	33.1	7.01
115	59	45.6	39.8	44.5	47.1*	48.2*	6.91
	63	49.0	33.1	38.1	43.2	46.5	7.09
	67	52.5	25.8	30.9	35.8	39.2	7.27
	71	56.2	18.4	23.4	28.4	31.7	7.46

CORRECTION FACTORS FOR OTHER AIRFLOWS (MULTIPLY DATA BY FACTOR)

AIRFLOW	TOTAL CAPACITY	SENSIBLE CAPACITY
LOW	1575	0.98
HIGH	2025	1.01

NOTE: ALL TABLES ABOVE ARE AT ARI RATING CONDITIONS RATED WITH 25 FEET OF REFRIGERANT LINES.
* DRY COIL CONDITION (TOTAL CAPACITY = SENSIBLE CAPACITY)
TOTAL CAPACITY, COMP. KW AND APP. DEW PT. ARE VALID ONLY FOR WET COIL. ALL TEMPERATURES IN DEGREES F.

CORRECTION FACTORS FOR OTHER COMBINATIONS (MULTIPLY DATA BY FACTOR)

INDOOR MODEL	CFM	MBTUH TOT	MBTUH SEN	SYST KW
CC/CUBC60A4AC	RATED	1700	0.94	0.94
	LOW	1475	0.91	0.88
	HIGH	1925	0.96	0.98
CC/CUBD60A5AC	RATED	2000	0.99	1.01
	LOW	1750	0.97	0.95
	HIGH	2250	1.00	1.06
TWE042C14	RATED	1600	0.92	0.90
	LOW	1400	0.89	0.86
	HIGH	1800	0.94	0.95
TWE042P13	RATED	1600	0.95	0.93
	LOW	1400	0.93	0.88
	HIGH	1800	0.97	0.98
TWE048C14	RATED	1800	0.97	0.97
	LOW	1575	0.95	0.92
	HIGH	2025	0.99	1.02
TWE048P13	RATED	1800	1.02	1.04
	LOW	1575	1.00	0.98
	HIGH	2025	1.03	1.09
TWE049E13	RATED	1800	1.02	1.04
	LOW	1575	1.00	0.98
	HIGH	2025	1.03	1.09
TWE060C/D15	RATED	1900	0.99	1.00
	LOW	1650	0.97	0.94
	HIGH	2150	1.00	1.05
TWE060P13	RATED	1800	1.02	1.04
	LOW	1575	1.00	0.98
	HIGH	2025	1.03	1.09
TWE063P13	RATED	1800	1.02	1.04
	LOW	1575	1.00	0.98
	HIGH	2025	1.04	1.10
TWE065E13	RATED	1800	1.04	1.06
	LOW	1575	1.02	1.00
	HIGH	2025	1.06	1.13

CORRECTION FACTORS FOR OTHER COMBINATIONS (MULTIPLY DATA BY FACTOR)

INDOOR MODEL	CFM	MBTUH TOT	MBTUH SEN	SYST KW
TWG042A14	RATED	1500	0.87	0.83
	LOW	1300	0.84	0.78
	HIGH	1700	0.88	0.87
TWG048A14	RATED	1600	0.94	0.92
	LOW	1400	0.91	0.88
	HIGH	1800	0.96	0.97
TWG060A15	RATED	2000	1.00	1.03
	LOW	1750	0.98	0.98
	HIGH	2250	1.01	1.08
TXA/TXC043C4	RATED	1600	0.92	0.90
	LOW	1400	0.89	0.84
	HIGH	1800	0.94	0.94
TXA/TXC048C4	RATED	1400	0.92	0.87
	LOW	1225	0.90	0.82
	HIGH	1575	0.95	0.91
TXA/TXC049C4	RATED	1700	0.94	0.94
	LOW	1475	0.91	0.88
	HIGH	1925	0.96	0.98
TXA/TXC050C4	RATED	1700	0.94	0.94
	LOW	1475	0.91	0.88
	HIGH	1925	0.96	0.98
TXA/TXC060C5	RATED	1700	0.98	0.95
	LOW	1475	0.96	0.89
	HIGH	1925	1.00	1.00
TXA/TXC061C5	RATED	1800	1.00	1.00
	LOW	1575	0.98	0.95
	HIGH	2025	1.01	1.05
TXC054S3	RATED	1700	0.96	0.94
	LOW	1475	0.93	0.89
	HIGH	1925	0.98	0.99
TXC065S3	RATED	2000	1.02	1.05
	LOW	1750	1.00	0.99
	HIGH	2250	1.03	1.10
TXH041A4	RATED	1600	0.94	0.93
	LOW	1400	0.92	0.88
	HIGH	1800	0.96	0.97
TXH054A4	RATED	1700	1.00	1.00
	LOW	1475	0.97	0.94
	HIGH	1925	1.02	1.06
TXH063P3-A	RATED	2000	1.04	1.09
	LOW	1750	1.02	1.02
	HIGH	2250	1.05	1.15
TXH063P3-B	RATED	2000	1.05	1.10
	LOW	1750	1.03	1.04
	HIGH	2250	1.06	1.17



Performance Data Cooling

2TTA0072A3/4

2TTA0072A3/4 WITH TWE090A AT 2400 CFM

O.D. D.B.	I.D. W.B.	TOT. CAP.	SENS. CAP. AT ENTERING D.B. TEMP.				TOTAL KW
			72	75	78	80	
85	59	63.8	53.7	60.2	64.8*	66.4*	5.78
	63	68.4	45.0	51.5	58.1	62.4	5.92
	67	73.2	35.5	42.0	48.5	52.9	6.06
	71	78.1	25.7	32.3	38.8	43.1	6.21
95	59	62.0	52.8	59.4	63.4*	64.8*	6.37
	63	66.4	44.2	50.7	57.2	61.6	6.55
	67	71.0	34.6	41.1	47.7	52.0	6.73
	71	75.7	24.9	31.4	37.9	42.3	6.92
105	59	59.2	51.6	57.7	61.1*	62.4*	7.08
	63	63.4	42.9	49.5	56.0	60.3	7.31
	67	67.8	33.4	39.9	46.4	50.7	7.54
	71	72.3	23.6	30.1	36.7	41.0	7.79
115	59	56.4	50.3	56.0	58.7*	60.0*	7.76
	63	60.4	41.7	48.2	54.7	59.0	8.05
	67	64.5	32.1	38.6	45.1	49.5	8.36
	71	68.8	22.4	28.9	35.4	39.7	8.68

CORRECTION FACTORS FOR OTHER AIRFLOWS (MULTIPLY DATA BY FACTOR)

AIRFLOW	TOTAL CAPACITY	SENSIBLE CAPACITY
LOW	2100	0.98
HIGH	2700	1.01

NOTE: ALL TABLES ABOVE ARE AT ARI RATING CONDITIONS RATED WITH 25 FEET OF REFRIGERANT LINES.
 * DRY COIL CONDITION (TOTAL CAPACITY = SENSIBLE CAPACITY)
 TOTAL CAPACITY, COMP. KW AND APP. DEW PT. ARE VALID ONLY FOR WET COIL. ALL TEMPERATURES IN DEGREES F.

CORRECTION FACTORS FOR OTHER COMBINATIONS (MULTIPLY DATA BY FACTOR)

INDOOR MODEL		CFM	MBTUH	MBTUH	SYST
			TOT	SEN	KW
TWE063P13	RATED	2200	0.97	0.98	1.05
	LOW	1925	0.95	0.92	1.06
	HIGH	2475	0.98	1.04	1.04
TWE065E13	RATED	2200	0.97	0.98	1.05
	LOW	1925	0.95	0.92	1.06
	HIGH	2475	0.98	1.04	1.03
TWE090A	RATED	2400	1.00	1.00	1.00
	LOW	2100	0.98	0.94	1.01
	HIGH	2700	1.01	1.05	0.99
TWG060A15	RATED	2100	0.93	0.91	1.02
	LOW	1825	0.91	0.86	1.03
	HIGH	2375	0.94	0.96	1.01
TXA/TXC060C5	RATED	1700	0.90	0.83	0.97
	LOW	1475	0.87	0.78	0.98
	HIGH	1925	0.92	0.87	0.96
TXA/TXC061C5	RATED	1800	0.93	0.87	0.99
	LOW	1575	0.91	0.83	1.00
	HIGH	2025	0.95	0.92	0.98
TXH063P3-A	RATED	2200	0.98	0.99	1.03
	LOW	1925	0.96	0.93	1.04
	HIGH	2475	0.99	1.04	1.01
TXH063P3-B	RATED	2100	0.98	0.98	1.02
	LOW	1825	0.96	0.92	1.03
	HIGH	2375	0.99	1.04	1.01

CORRECTION FACTORS FOR OTHER COMBINATIONS (MULTIPLY DATA BY FACTOR)

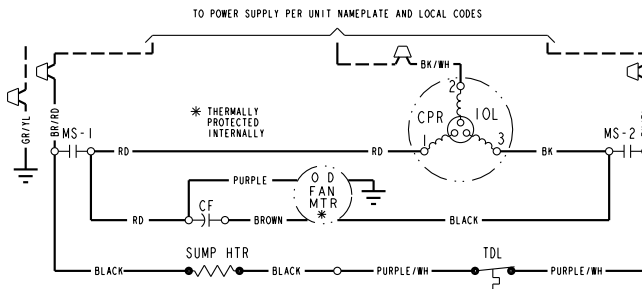
INDOOR MODEL		CFM	MBTUH	MBTUH	SYST
			TOT	SEN	KW
TWE060A	RATED	2200	0.93	0.90	0.99
	LOW	1925	0.91	0.86	1.00
	HIGH	2475	0.94	0.95	0.98
TWE060C15-C/D15-A	RATED	2000	0.93	0.89	1.01
	LOW	1750	0.91	0.85	1.02
	HIGH	2250	0.94	0.94	1.00

Electrical Data

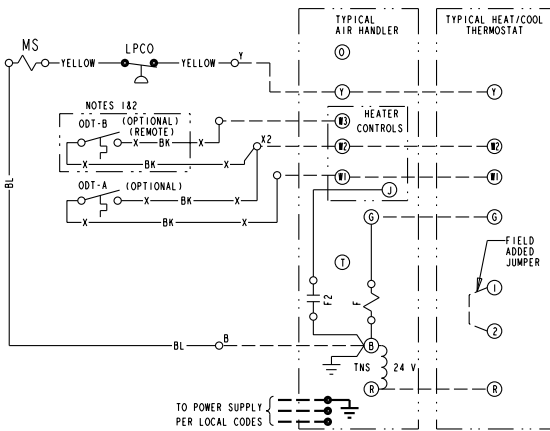
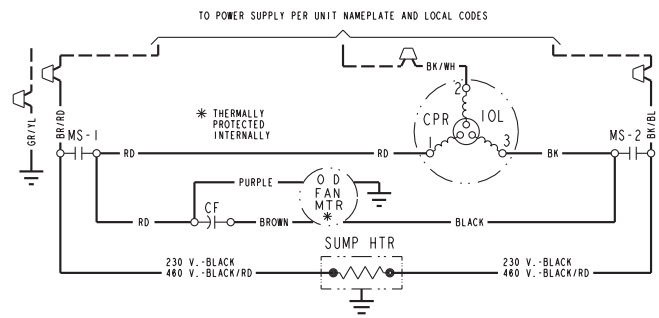
SCHEMATIC DIAGRAMS

(SEE LEGEND)

2TTA0030-060A3000A



2TTA0072A3000A

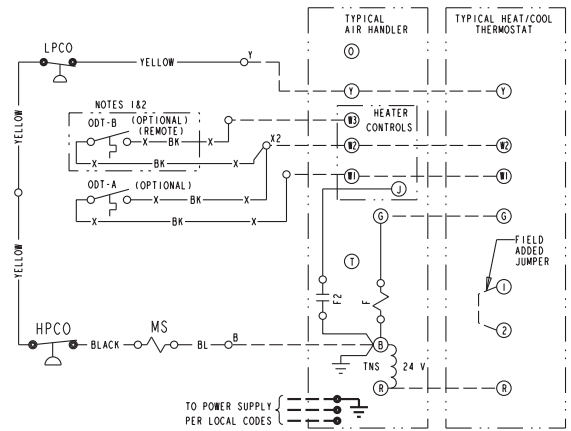


NOTES:

1. IF ODT-B IS NOT USED, ADD JUMPER BETWEEN W2 & W3 AT AIR HANDLER. IF USED, ODT-B MUST BE MOUNTED REMOTE OF CONTROL BOX IN AN APPROVED WEATHER PROOF ENCLOSURE.
2. IF ODT-A IS NOT USED, ADD JUMPER BETWEEN W1 & W2 AT AIR HANDLER.
3. LOW VOLTAGE (24 V.) FIELD WIRING MUST BE 18 AWG MIN.

<p>⚠ WARNING HAZARDOUS VOLTAGE! DISCONNECT ALL ELECTRIC POWER INCLUDING REMOTE DISCONNECTS BEFORE SERVICING. FAILURE TO DISCONNECT POWER BEFORE SERVICING CAN CAUSE SEVERE PERSONAL INJURY OR DEATH!</p>	<p>⚠ CAUTION USE COPPER CONDUCTORS ONLY! UNIT TERMINALS ARE NOT DESIGNED TO ACCEPT OTHER TYPES OF CONDUCTORS. FAILURE TO DO SO MAY CAUSE DAMAGE TO THE EQUIPMENT!</p>
---	--

NOTE
THREE PHASE MOTOR (S) FACTORY SUPPLIED IN THIS EQUIPMENT PROTECTED UNDER PRIMARY SINGLE-PHASE CONDITIONS.



NOTES:

1. IF ODT-B IS NOT USED, ADD JUMPER BETWEEN W2 & W3 AT AIR HANDLER. IF USED, ODT-B MUST BE MOUNTED REMOTE OF CONTROL BOX IN AN APPROVED WEATHER PROOF ENCLOSURE.
2. IF ODT-A IS NOT USED, ADD JUMPER BETWEEN W1 & W2 AT AIR HANDLER.
3. LOW VOLTAGE (24 V.) FIELD WIRING MUST BE 18 AWG MIN.

<p>⚠ WARNING HAZARDOUS VOLTAGE! DISCONNECT ALL ELECTRIC POWER INCLUDING REMOTE DISCONNECTS BEFORE SERVICING. FAILURE TO DISCONNECT POWER BEFORE SERVICING CAN CAUSE SEVERE PERSONAL INJURY OR DEATH!</p>	<p>⚠ CAUTION USE COPPER CONDUCTORS ONLY! UNIT TERMINALS ARE NOT DESIGNED TO ACCEPT OTHER TYPES OF CONDUCTORS. FAILURE TO DO SO MAY CAUSE DAMAGE TO THE EQUIPMENT!</p>
---	--

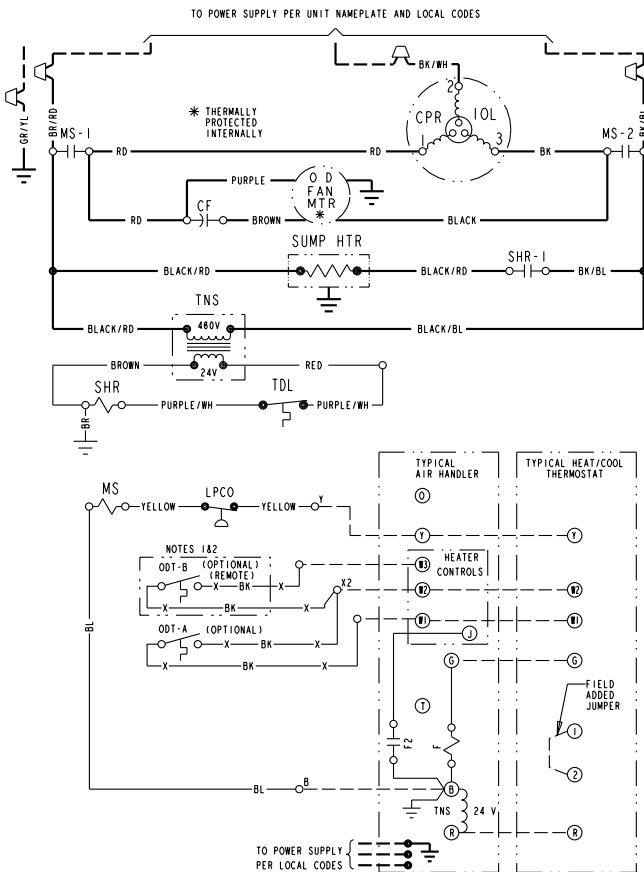
NOTE
THREE PHASE MOTOR (S) FACTORY SUPPLIED IN THIS EQUIPMENT PROTECTED UNDER PRIMARY SINGLE-PHASE CONDITIONS.

Electrical Data

SCHEMATIC DIAGRAMS

(SEE LEGEND)

2TTA0030-060A4000A



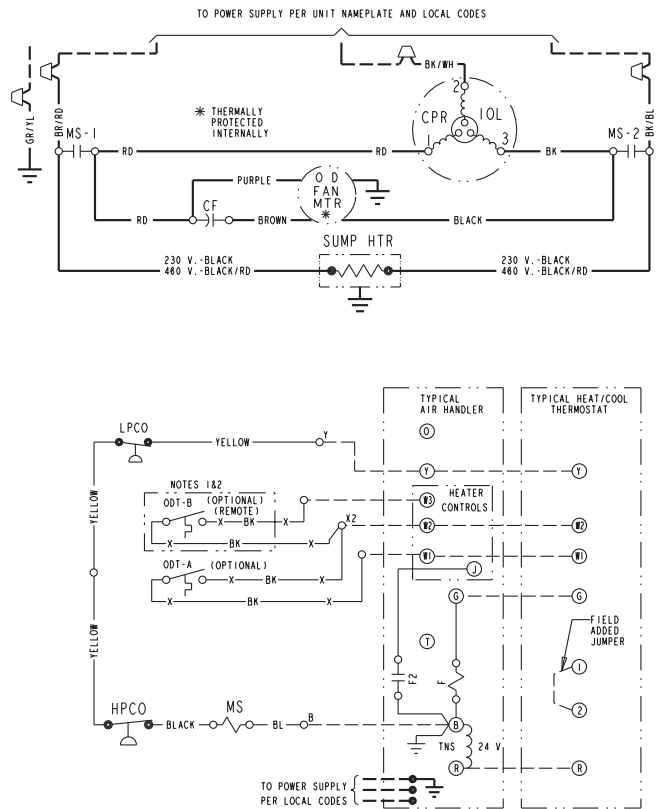
NOTES:

1. IF ODT-B IS NOT USED, ADD JUMPER BETWEEN W2 & W3 AT AIR HANDLER. IF USED, ODT-B MUST BE MOUNTED REMOTE OF CONTROL BOX IN AN APPROVED WEATHER PROOF ENCLOSURE.
2. IF ODT-A IS NOT USED, ADD JUMPER BETWEEN W1 & W2 AT AIR HANDLER.
3. LOW VOLTAGE (24 V.) FIELD WIRING MUST BE 18 AWG MIN.

<p>⚠ WARNING HAZARDOUS VOLTAGE! DISCONNECT ALL ELECTRIC POWER INCLUDING REMOTE DISCONNECTS BEFORE SERVICING. FAILURE TO DISCONNECT POWER BEFORE SERVICING CAN CAUSE SEVERE PERSONAL INJURY OR DEATH!</p>	<p>⚠ CAUTION USE COPPER CONDUCTORS ONLY! UNIT TERMINALS ARE NOT DESIGNED TO ACCEPT OTHER TYPES OF CONDUCTORS. FAILURE TO DO SO MAY CAUSE DAMAGE TO THE EQUIPMENT!</p>
---	--

NOTE
THREE PHASE MOTOR (S) FACTORY SUPPLIED IN THIS EQUIPMENT PROTECTED UNDER PRIMARY SINGLE-PHASE CONDITIONS.

2TTA0072A4000A



NOTES:

1. IF ODT-B IS NOT USED, ADD JUMPER BETWEEN W2 & W3 AT AIR HANDLER. IF USED, ODT-B MUST BE MOUNTED REMOTE OF CONTROL BOX IN AN APPROVED WEATHER PROOF ENCLOSURE.
2. IF ODT-A IS NOT USED, ADD JUMPER BETWEEN W1 & W2 AT AIR HANDLER.
3. LOW VOLTAGE (24 V.) FIELD WIRING MUST BE 18 AWG MIN.


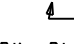
<p>⚠ WARNING HAZARDOUS VOLTAGE! DISCONNECT ALL ELECTRIC POWER INCLUDING REMOTE DISCONNECTS BEFORE SERVICING. FAILURE TO DISCONNECT POWER BEFORE SERVICING CAN CAUSE SEVERE PERSONAL INJURY OR DEATH!</p>	<p>⚠ CAUTION USE COPPER CONDUCTORS ONLY! UNIT TERMINALS ARE NOT DESIGNED TO ACCEPT OTHER TYPES OF CONDUCTORS. FAILURE TO DO SO MAY CAUSE DAMAGE TO THE EQUIPMENT!</p>
---	--

NOTE
THREE PHASE MOTOR (S) FACTORY SUPPLIED IN THIS EQUIPMENT PROTECTED UNDER PRIMARY SINGLE-PHASE CONDITIONS.



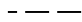

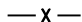
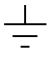



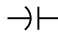
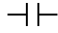
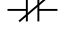


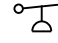
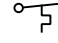
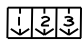
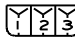



Electrical Data

SCHEMATIC DIAGRAMS

LEGEND

	COLOR OF WIRE				
BK/BL	BLACK WIRE WITH BLUE MARKER				
	COLOR OF MARKER				
BK	BLACK	OR	ORANGE	YL	YELLOW
BL	BLUE	RD	RED	GR	GREEN
BR	BROWN	WH	WHITE	PR	PURPLE

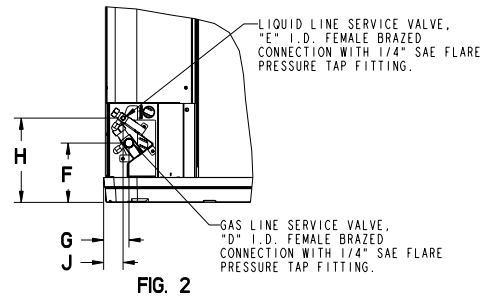
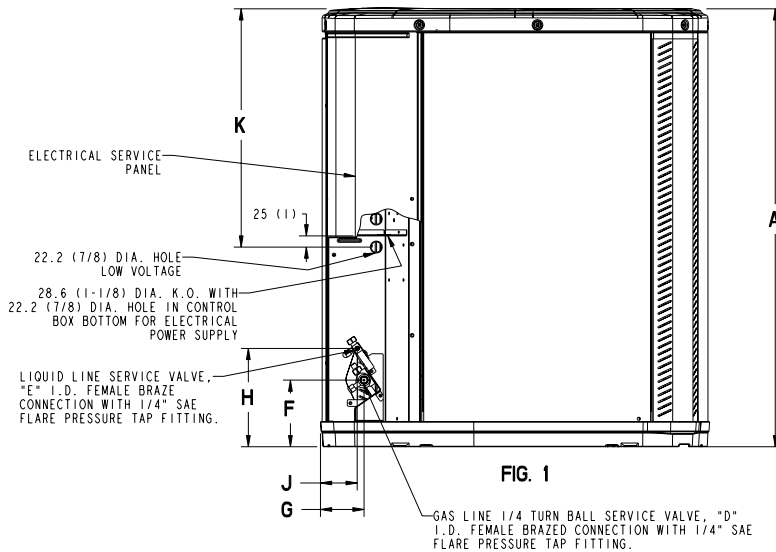
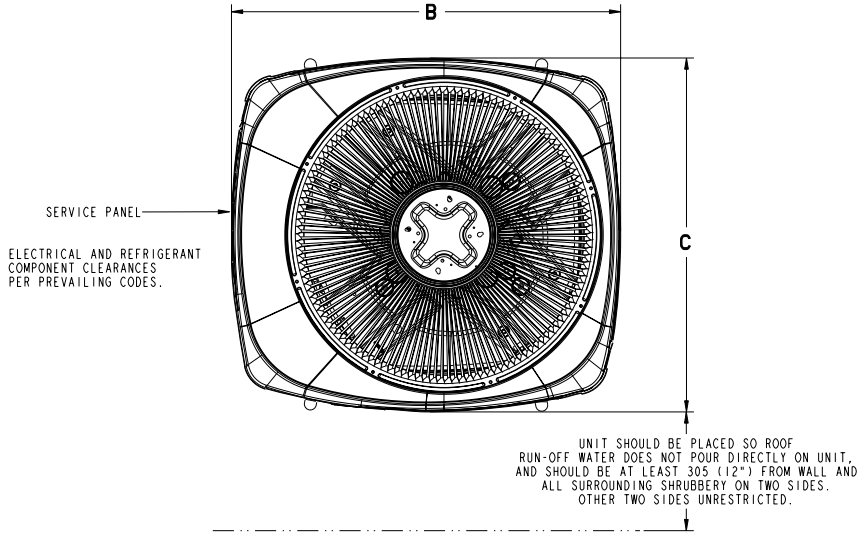
SYMBOLS

	24 V.	}	FACTORY WIRING
	LINE V.		
	24 V.	}	FIELD WIRING
	LINE V.		
	FIELD INSTALLED FACTORY WIRING		
	GROUND		
	JUNCTION		
	WIRE NUT OR CONNECTOR		
	COIL		
	CAPACITOR		
	RELAY CONTACT (N.O.)		
	RELAY CONTACT (N.C.)		
	THERMISTOR		
	INTERNAL OVERLOAD PROTECTOR		
	PRESSURE ACTUATED SWITCH		
	TEMP. ACTUATED SWITCH		
	POL. PLUG FEMALE HOUSING (MALE TERM.)		
	POL. PLUG MALE HOUSING (FEMALE TERM.)		
	RESISTOR OR HEATING ELEMENT		
	MOTOR WINDING		
	TERMINAL		

CA	COOLING ANTICIPATOR	LPCO	LOW PRESSURE CUTOUT SW.
CBS	COIL BOTTOM SENSOR	MS	COMPRESSOR MOTOR CONTACTOR
CF	FAN CAPACITOR	ODA	OUTDOOR ANTICIPATOR
CN	WIRE CONNECTOR	OFT	OUTDOOR FAN THERMOSTAT
CPR	COMPRESSOR	ODS	OUTDOOR TEMPERATURE SENSOR
CR	RUN CAPACITOR	ODT	OUTDOOR THERMOSTAT
CS	STARTING CAPACITOR	RHS	RESISTANCE HEAT SWITCH
CSR	CAPACITOR SWITCHING RELAY	SC	SWITCHOVER VALVE SOLENOID
DFC	DEFROST CONTROL	SHR	SUMP HEAT RELAY
F	INDOOR FAN RELAY	SM	SYSTEM "ON-OFF" SWITCH
HA	HEATING ANTICIPATOR	TDL	DISCHARGE LINE THERMOSTAT
HPCO	HIGH PRESSURE CUTOUT SW.	TNS	TRANSFORMER
IOL	INTERNAL OVERLOAD PROTECTOR	TS	HEATING-COOLING THERMOSTAT
		TSH	HEATING THERMOSTAT

Dimensions

2TTA0 OUTLINE DRAWING
NOTE: ALL DIMENSIONS ARE IN MM (INCHES)



MODELS	BASE	FIG.	A	B	C	D	E	F	G	H	J	K
2TTA0030A	2	2	651 (25-5/8)	724 (28-1/2)	651 (25-5/8)	3/4	5/16	127 (5)	57 (2-1/4)	181 (7-1/8)	44 (1-3/4)	457 (18)
2TTA0036A	2	2	651 (25-5/8)	724 (28-1/2)	651 (25-5/8)	7/8	3/8	127 (5)	57 (2-1/4)	181 (7-1/8)	44 (1-3/4)	457 (18)
2TTA0042A	2	2	730 (28-3/4)	724 (28-1/2)	651 (25-5/8)	7/8	3/8	137 (5-3/8)	65 (2-5/8)	210 (8-1/4)	57 (2-1/4)	457 (18)
2TTA0048A	2	2	730 (28-3/4)	724 (28-1/2)	651 (25-5/8)	1-1/8	3/8	137 (5-3/8)	65 (2-5/8)	210 (8-1/4)	57 (2-1/4)	457 (18)
2TTA0060A	3	1	832 (32-3/4)	829 (32-5/8)	756 (29-3/4)	1-1/8	3/8	143 (5-5/8)	92 (3-5/8)	210 (8-1/4)	79 (3-1/8)	508 (20)
2TTA0072A	4	1	1045 (41-1/8)	946 (37-1/4)	870 (34-1/4)	1-1/8	3/8	152 (6)	98 (3-7/8)	219 (8-5/8)	86 (3-3/8)	508 (20)

From Dwg. 21D153074 Rev. 5

Mechanical Specification Options

General

The 2TTA0 shall be fully charged from the factory for matched indoor section and up to 15 feet of piping. This unit must be designed to operate at outdoor ambient temperatures as high as 115°F. Cooling capacities shall be matched with a wide selection of air handlers and furnace coils that are A.R.I. certified. The unit shall be UL listed. Exterior must be designed for outdoor application.

Casing

Unit casing is constructed of heavy gauge, galvanized steel and painted with a weather-resistant powder paint. Corrosion and weatherproof CMBP-G30 DuraTuff™ base.

Refrigerant Controls

Refrigeration system controls include condenser fan and compressor contactor. High and low pressure controls are inherent to the compressor. Another standard feature is the liquid line dryer.

Compressor

The Climatuff[®] compressor features internal over temperature and pressure protector, total dipped hermetic motor and thermostatically controlled sump heater. Other features include: roto lock suction and discharge refrigeration connections, centrifugal oil pump, and low vibration and noise. The Climatuff[®] compressor is standard with a 5 year limited warranty.

Condenser Coil

The Spine Fin™ coil shall be continuously wrapped, corrosion resistant all aluminum with minimum brazed joints. This coil is 5/16 inch O.D. seamless aluminum glued to a continuous aluminum fin. Coils are lab tested to withstand 2,000 pounds of pressure per square inch. The outdoor coil provides low airflow resistance and efficient heat transfer. The coil is protected on all four sides by louvered panels and has a 5 year limited warranty.

Low Ambient Cooling

As manufactured, this unit has a cooling capability to 55°F. The addition of an evaporator defrost control permits operation to 40°F. The addition of an evaporator defrost control with TXV permits low ambient cooling to 30°F.

Accessories

Thermostats — Heating/Cooling (manual and automatic changeover). Sub-base to match thermostat and locking thermostat cover.

Evaporator Defrost Control — See Low Ambient Cooling.

Outdoor Thermostat — Supplemental heat outdoor ambient lockout from 46 to -10°F.



Notes



A series of horizontal lines for writing notes, starting below the thick line and extending to the bottom of the page.



The Trane Company
An American Standard Company
www.trane.com

Literature Order Number	SS-PRC014-EN	P.I.
File Number	—	
Supersedes	New	
Stocking Location	PI Louisville & Webb/Mason-Houston	

Since The Trane Company has a policy of continuous product and product data improvement, it reserves the right to change design and specifications without notice.