



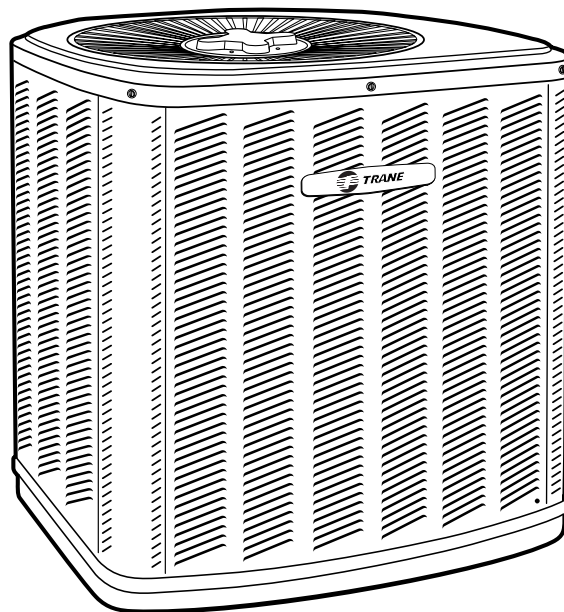
TRANE®

SS-PRC012-EN

Split System Cooling Product & Performance Data

XB10
2TTB0030-060A

2½ – 5 Tons



PUB. NO. 22-1739-01-0402 (EN)



General Features

Split System Cooling Units . . . The Evolution Continues

2TTB0 split systems represent a product that is not only an engineer's dream, it's also a customer's dream. The design team's mission and accomplishment is enhanced performance and efficiency, improved reliability and durability, and improved installability and serviceability.

Trane's experienced design team applied "six sigma principles", the latest computer

technology and customer research to develop the next generation of leadership products.

Couple the Trane reputation for reliability and durability with the above mentioned mission and accomplishments and you continue to have systems that prove "It's Hard to Stop a Trane.®"

Contents

| | |
|--|-----------|
| General Features | 2 |
| Features and Benefits | 4 |
| Optional Equipment | 5 |
| Low Outdoor Ambient Cooling | 5 |
| A.R.I. Standard Capacity Rating Conditions | 5 |
| Selection Procedure | 6 |
| Model Number Nomenclature | 6 |
| General Data | 7 |
| 2TTB0030A1000A | 7 |
| 2TTB0036A1000A | 9 |
| 2TTB0042A1000A | 11 |
| 2TTB0048A1000A | 13 |
| 2TTB0060A1000A | 15 |
| Ratings with Auxiliary Devices | 17 |
| Performance Data Cooling | 18 |
| 2TTB0030A1 | 18 |
| 2TTB0036A1 | 19 |
| 2TTB0042A1 | 20 |
| 2TTB0048A1 | 21 |
| 2TTB0060A1 | 22 |
| Electrical Data | 23 |
| Dimensions | 25 |
| Mechanical Specification Options | 26 |



Features and Benefits

- **Climatuff**® compressor
- All aluminum **Spine Fin**™ coil
- **DuraTuff**™ base, fast complete drain, weather proof
- New cabinet with anthracite base and polystate gray cabinet
- **Quick-Sess**™ cabinet, service access and refrigerant connections with full coil protection
- Corrosion resistant finish and fasteners
- High/low pressure & temperature protection
- Liquid line filter-drier
- Easy single side service
- Multi-use liquid and suction line service valves
- Easy top & fan removal
- Full length control cover
- **Sure Fast**™ seams louver panel removal
- HCFC-22 refrigerant
- **5-year limited warranty on compressor, coil, and 5 years on parts (Residential use)**
- **Extended warranties available**
- S.E.E.T. design testing
- 100% line run test
- Low ambient cooling to 55°F as shipped
- Low ambient to 40°F with EDC accessory AY28X079
- Low ambient cooling to 30°F with EDC accessory AY28X079 and TXV



Features and Benefits

Optional Equipment

OPTIONAL EQUIPMENT FOR CONDENSING UNITS (Check mark [✓] indicates accessories included).

| | |
|---|-----------------|
| Indoor Thermostats — Electronic Setback | TAYSTAT300C [] |
| Electronic, 1 Htg. (Gas)/1 Clg. (Non Prog.) | TAYSTAT370 [] |
| Electronic, 1 Htg. (Elec.)/ 1 Clg. (Non Prog.) ^② | TAYSTAT371 [] |
| Heating/Cooling — Horizontal | AY28X092 [] |
| Cooling Only with Fan Switch | BAYSTAT304 [] |
| Heating/Cooling — Vertical | BAYSTAT305 [] |
| Thermostat Locking Cover | BAY28X190 [] |
| Outdoor Thermostats 46°F. to -10°F. (Adjustable) | TAYSTAT250B [] |
| Evaporator Defrost Control | AY28X079 [] |
| Indoor Fan Delay Relay Kit | BAY24X045 [] |
| Quick-Start Kit (2TTB0030-060A) | BAYKSKT257 [] |
| 5 Minute Delay Relay ^① | TAYASCT501A [] |
| Outdoor Temperature Sensor .. (TAYSTAT300C) | TAYSENS100A [] |
| Extreme Conditions Kit | BAYECMT001 [] |
| Seacoast Kit | BAYSEAC001 [] |

^① Not used with programmable thermostats

^② Specifically designed for electric heat applications (instant on fan)

BRAZED TUBING REFRIGERANT LINE SETS (All Suction Lines are Insulated.)

| | |
|--|-----------------|
| 3/4" ODM (90° bend, one end), 3/4" & 5/16" tubing | TAYREFLN2_* [] |
| 7/8" ODM (90° bend, one end), 7/8" & 3/8" tubing | TAYREFLN3_* [] |
| 1-1/8" ODM (90° bend, one end), 1-1/8" & 3/8" tubing | TAYREFLN4_* [] |

* Line lengths: 15, 20, 25, 30, 40 & 50 ft. Insert desired line length in catalog number at right for the complete number.

Example: TAYREFLN220

Low Outdoor Ambient Cooling

| Low Ambient Cooling | As Manufactured | Evaporator Defrost Control |
|-------------------------------|-----------------|----------------------------|
| FCCV Accutron™ | 55°F | 40°F |
| Thermal Expansion Valve (TXV) | 55°F | 30°F |

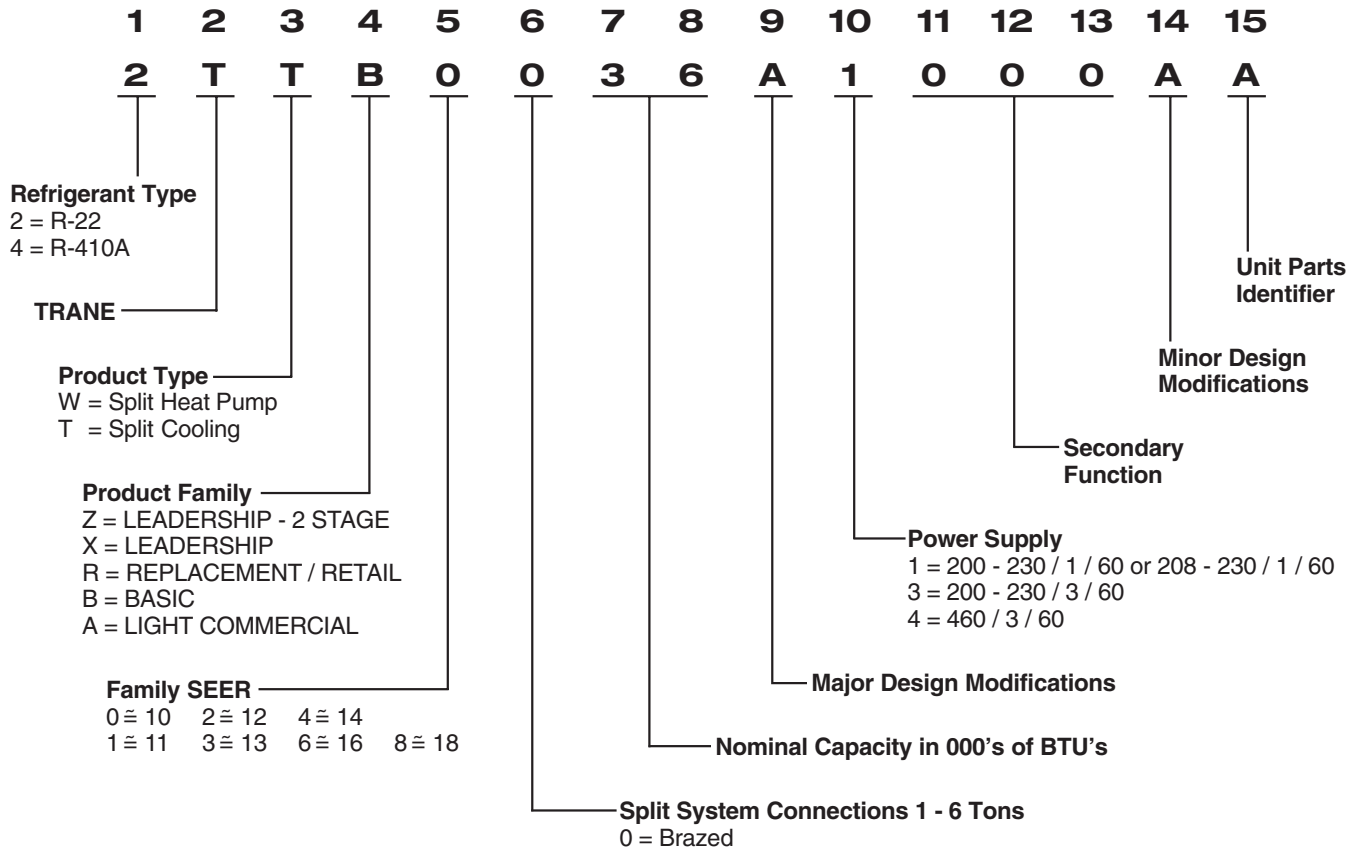
A.R.I. Standard Capacity Rating Conditions

A.R.I. STANDARD 210/240 RATING CONDITIONS — (A) Cooling 80°F. D.B., 67°F. W.B. air entering indoor coil, 95°F. D.B. air entering outdoor coil.



Selection Procedure

Model Number Nomenclature



General Data

2TTB0030A1000A

| OUTDOOR UNIT ^{①②} | 2TTB0030A1000A |
|--|--------------------|
| SOUND RATING (DECIBELS) ^{②④} | 81 |
| POWER CONNS. — V/PH/Hz ^③ | 200/230/1/60 |
| MIN. BRCH. CIR. AMPACITY | 17 |
| BR. CIR. } MAX. (AMPS) | 30 |
| PROT. RTG. } MIN. (AMPS) | 30 |
| COMPRESSOR | CLIMATUFF® |
| NO. USED - NO. SPEEDS | 1 - 1 |
| VOLTS/PH/Hz | 200/230/1/60 |
| R.L. AMPS ^⑦ - L.R. AMPS | 13.2 - 70.5 |
| FACTORY INSTALLED | |
| START COMPONENTS ^⑧ | NO |
| INSULATION/SOUND BLANKET | NO |
| COMPRESSOR HEAT | NO |
| OUTDOOR FAN — TYPE | PROPELLER |
| DIA. (IN.) - NO. USED | 19 - 1 |
| TYPE DRIVE - NO. SPEEDS | DIRECT - 1 |
| CFM @ 0.0 IN. W.G. ^④ | 2175 |
| NO. MOTORS - HP | 1 - 1/8 |
| MOTOR SPEED R.P.M. | 1075 |
| VOLTS/PH/Hz | 200/230/1/60 |
| F.L. AMPS | 0.9 |
| OUTDOOR COIL — TYPE | SPINE FIN™ |
| ROWS - F.P.I. | 1 - 24 |
| FACE AREA (SQ. FT.) | 9.72 |
| TUBE SIZE (IN.) | 3/8 |
| REFRIGERANT | R-22 |
| (O.D. UNIT) NP CHR.G. ^⑤ | 4/00-LB/OZ |
| FACTORY SUPPLIED | YES |
| LINE SIZE - IN. O.D. GAS ^⑥ | 3/4 |
| LINE SIZE - IN. O.D. LIQ. ^⑥ | 5/16 |
| FCCV | |
| RESTRICTOR ORIFICE SIZE | 0.065 |
| DIMENSIONS | H X W X D |
| OUTDOOR UNIT CRATED (IN.) | 30.1 X 26.7 X 30.2 |
| UNCRATED | SEE OUTLINE DWG. |
| WEIGHT | |
| SHIPPING (LBS.) | 169 |
| NET (LBS.) | 150 |

- ① CERTIFIED IN ACCORDANCE WITH THE UNITARY AIR-CONDITIONER EQUIPMENT CERTIFICATION PROGRAM WHICH IS BASED ON A.R.I. STANDARD 210/240.
- ② RATED IN ACCORDANCE WITH A.R.I. STANDARD 270.
- ③ CALCULATED IN ACCORDANCE WITH NATIONAL ELECTRIC CODE. ONLY USE HACR CIRCUIT BREAKERS OR FUSES.
- ④ STANDARD AIR - DRY COIL - OUTDOOR
- ⑤ THIS VALUE APPROXIMATE. FOR MORE PRECISE VALUE SEE UNIT NAMEPLATE AND SERVICE INSTRUCTION.
- ⑥ MAX. LINEAR LENGTH: 80 FT WITH RECIPROCATING COMPRESSOR - 60 FT WITH SCROLL. MAX. LIFT - SUCTION 60 FT; MAX LIFT - LIQUID 60 FT. FOR GREATER LENGTH REFER TO REFRIGERANT PIPING SOFTWARE PUB. NO. 32-3312-01.
- ⑦ THE VALUE SHOWN FOR COMPRESSOR RLA ON THE UNIT NAMEPLATE AND ON THIS SPECIFICATION SHEET IS USED TO COMPUTE MINIMUM BRANCH CIRCUIT AMPACITY AND MAXIMUM FUSE SIZE. THE VALUE SHOWN IS THE BRANCH CIRCUIT SELECTION CURRENT.
- ⑧ NO MEANS NO START COMPONENTS
YES MEANS QUICK START KIT COMPONENTS
PTC MEANS POSITIVE TEMPERATURE COEFFICIENT STARTER.
- ⑨ RATED IN ACCORDANCE WITH ARI STANDARD 270/SECTION 5.3.6.



SPLIT SYSTEM



CONDENSING UNIT WITH COOLING COILS

| | CCBA30A4AC | CCBB30A4AC | CUBA30A4AC | CUBB30A4AC | TXA030C4 | TXA031C4 | TXA035C4 |
|---------------------------------------|---------------|---------------|---------------|---------------|------------|------------|------------|
| EXPANSION TYPE | FIXED ORIFICE | FIXED ORIFICE | FIXED ORIFICE | FIXED ORIFICE | CHG TO 65 | CHG TO 65 | CHG TO 65 |
| RATINGS (COOLING) ^① | | | | | | | |
| BTUH (TOTAL) | 27600 | 29000 | 27600 | 29000 | 29000 | 29000 | 29400 |
| BTUH (SENSIBLE) | 19800 | 21300 | 19800 | 21300 | 21100 | 21200 | 22000 |
| INDOOR AIRFLOW (CFM) | 950 | 1000 | 950 | 1000 | 1000 | 1000 | 1100 |
| SYSTEM POWER (KW) | 3.07 | 3.15 | 3.07 | 3.15 | 3.15 | 3.14 | 3.21 |
| EER/SEER (BTU/WATT-HR.) | 9.00/10.00 | 9.20/10.00 | 9.00/10.00 | 9.20/10.00 | 9.20/10.00 | 9.25/10.00 | 9.15/10.00 |
| | | | | | | | |
| | TXA036C4 | TXC030C4 | TXC030D4 | TXC031C4 | TXC031D4 | TXC031E5 | TXC035C4 |
| EXPANSION TYPE | CHG TO 65 | CHG TO 65 | CHG TO 65 | CHG TO 65 | CHG TO 65 | TXV-NB | CHG TO 65 |
| RATINGS (COOLING) ^① | | | | | | | |
| BTUH (TOTAL) | 30200 | 29000 | 29000 | 29000 | 29000 | 30000 | 29400 |
| BTUH (SENSIBLE) | 22800 | 21100 | 21100 | 21200 | 21200 | 22000 | 22000 |
| INDOOR AIRFLOW (CFM) | 1125 | 1000 | 1000 | 1000 | 1000 | 1000 | 1100 |
| SYSTEM POWER (KW) | 3.25 | 3.15 | 3.15 | 3.14 | 3.14 | 3.17 | 3.21 |
| EER/SEER (BTU/WATT-HR.) | 9.30/10.00 | 9.20/10.00 | 9.20/10.00 | 9.25/10.00 | 9.25/10.00 | 9.45/10.50 | 9.15/10.00 |
| | | | | | | | |
| | TXC035D4 | TXC036C4 | TXC036D4 | TXC036E5 | TXC037E5 | TXH025A4 | TXH033A4 |
| EXPANSION TYPE | CHG TO 65 | CHG TO 65 | CHG TO 65 | TXV-NB | TXV-NB | CHG TO 65 | CHG TO 65 |
| RATINGS (COOLING) ^① | | | | | | | |
| BTUH (TOTAL) | 29400 | 30200 | 30200 | 31200 | 31200 | 27800 | 29200 |
| BTUH (SENSIBLE) | 22000 | 22800 | 22800 | 23800 | 23900 | 19500 | 22000 |
| INDOOR AIRFLOW (CFM) | 1100 | 1125 | 1125 | 1125 | 1125 | 900 | 1000 |
| SYSTEM POWER (KW) | 3.21 | 3.25 | 3.25 | 3.28 | 3.28 | 3.05 | 3.16 |
| EER/SEER (BTU/WATT-HR.) | 9.15/10.00 | 9.30/10.00 | 9.30/10.00 | 9.50/10.50 | 9.50/10.50 | 9.10/10.00 | 9.25/10.00 |



General Data

2TTB0030A1000A

CONDENSING UNIT WITH AIR HANDLERS

| | TVF030A14 | TVF036A14 | TWE030C14 | TWE030P13 | TWE036C14 | TWE036P13 | TWG030A14 |
|----------------------------|------------|------------|------------|------------|------------|------------|------------|
| EXPANSION TYPE | CHG TO 65 | CHG TO 65 | CHG TO 65 | TXV-NB | CHG TO 65 | TXV-NB | CHG TO 65 |
| RATINGS (COOLING) ① | | | | | | | |
| BTUH (TOTAL) | 30000 | 31000 | 28600 | 29400 | 30200 | 30000 | 28800 |
| BTUH (SENSIBLE) | 22400 | 24000 | 20500 | 21300 | 23300 | 22800 | 21300 |
| INDOOR AIRFLOW (CFM) | 1000 | 1125 | 945 | 940 | 1125 | 1125 | 1000 |
| SYSTEM POWER (KW) | 3.16 | 3.32 | 3.08 | 3.08 | 3.25 | 3.23 | 3.11 |
| EER/SEER (BTU/WATT-HR.) | 9.50/10.00 | 9.35/10.00 | 9.30/10.00 | 9.55/10.50 | 9.30/10.00 | 9.30/10.50 | 9.25/10.00 |

| | TWG036A14 | TWG037A14 |
|----------------------------|------------|------------|
| EXPANSION TYPE | CHG TO 65 | CHG TO 65 |
| RATINGS (COOLING) ① | | |
| BTUH (TOTAL) | 29800 | 29800 |
| BTUH (SENSIBLE) | 23000 | 23000 |
| INDOOR AIRFLOW (CFM) | 1115 | 1115 |
| SYSTEM POWER (KW) | 3.20 | 3.20 |
| EER/SEER (BTU/WATT-HR.) | 9.30/10.00 | 9.30/10.00 |



General Data

2TTB0036A1000A

| | |
|-----------------------------------|-----------------------|
| OUTDOOR UNIT ①② | 2TTB0036A1000A |
| SOUND RATING (DECIBELS) ②③ | 80 |
| POWER CONNS. — V/PH/Hz ③ | 200/230/1/60 |
| MIN. BRCH. CIR. AMPACITY | 20 |
| BR. CIR. } MAX. (AMPS) | 35 |
| PROT. RTG. } MIN. (AMPS) | 30 |
| COMPRESSOR | CLIMATUFF® |
| NO. USED - NO. SPEEDS | 1 - 1 |
| VOLTS/PH/Hz | 200/230/1/60 |
| R.L. AMPS ⑦ - L.R. AMPS | 15.3 - 86.5 |
| FACTORY INSTALLED | |
| START COMPONENTS ⑧ | NO |
| INSULATION/SOUND BLANKET | NO |
| COMPRESSOR HEAT | NO |
| OUTDOOR FAN — TYPE | PROPELLER |
| DIA. (IN.) - NO. USED | 19 - 1 |
| TYPE DRIVE - NO. SPEEDS | DIRECT - 1 |
| CFM @ 0.0 IN. W.G. ④ | 2175 |
| NO. MOTORS - HP | 1 - 1/8 |
| MOTOR SPEED R.P.M. | 1075 |
| VOLTS/PH/Hz | 200/230/1/60 |
| F.L. AMPS | 0.9 |
| OUTDOOR COIL — TYPE | SPINE FIN™ |
| ROWS - F.P.I. | 1 - 24 |
| FACE AREA (SQ. FT.) | 9.72 |
| TUBE SIZE (IN.) | 3/8 |
| REFRIGERANT | R-22 |
| (O.D. UNIT) NP CHR.G. ⑤ | 4/12-LB/OZ |
| FACTORY SUPPLIED | YES |
| LINE SIZE - IN. O.D. GAS ⑥ | 7/8 |
| LINE SIZE - IN. O.D. LIQ. ⑥ | 3/8 |
| FCCV | |
| RESTRICTOR ORIFICE SIZE | 0.071 |
| DIMENSIONS | H X W X D |
| OUTDOOR UNIT CRATED (IN.) | 30.1 X 26.7 X 30.2 |
| UNCRATED | SEE OUTLINE DWG. |
| WEIGHT | |
| SHIPPING (LBS.) | 175 |
| NET (LBS.) | 156 |

- ① CERTIFIED IN ACCORDANCE WITH THE UNITARY AIR-CONDITIONER EQUIPMENT CERTIFICATION PROGRAM WHICH IS BASED ON A.R.I. STANDARD 210/240.
- ② RATED IN ACCORDANCE WITH A.R.I. STANDARD 270.
- ③ CALCULATED IN ACCORDANCE WITH NATIONAL ELECTRIC CODE. ONLY USE HACR CIRCUIT BREAKERS OR FUSES.
- ④ STANDARD AIR - DRY COIL - OUTDOOR
- ⑤ THIS VALUE APPROXIMATE. FOR MORE PRECISE VALUE SEE UNIT NAMEPLATE AND SERVICE INSTRUCTION.
- ⑥ MAX. LINEAR LENGTH: 80 FT WITH RECIPROCATING COMPRESSOR - 60 FT WITH SCROLL. MAX. LIFT - SUCTION 60 FT; MAX LIFT - LIQUID 60 FT. FOR GREATER LENGTH REFER TO REFRIGERANT PIPING SOFTWARE PUB. NO. 32-3312-01.
- ⑦ THE VALUE SHOWN FOR COMPRESSOR RLA ON THE UNIT NAMEPLATE AND ON THIS SPECIFICATION SHEET IS USED TO COMPUTE MINIMUM BRANCH CIRCUIT AMPACITY AND MAXIMUM FUSE SIZE. THE VALUE SHOWN IS THE BRANCH CIRCUIT SELECTION CURRENT.
- ⑧ NO MEANS NO START COMPONENTS
YES MEANS QUICK START KIT COMPONENTS
PTC MEANS POSITIVE TEMPERATURE COEFFICIENT STARTER.
- ⑨ RATED IN ACCORDANCE WITH ARI STANDARD 270/SECTION 5.3.6.



SPLIT SYSTEM



CONDENSING UNIT WITH COOLING COILS

| | CCBA36A4AC | CCBB36A4AC | CUBA36A4AC | CUBB36A4AC | CUBC36A4AC | TXA035C4 | TXA036C4 |
|----------------------------|---------------|---------------|---------------|---------------|---------------|-------------|-------------|
| EXPANSION TYPE | FIXED ORIFICE | FIXED ORIFICE | FIXED ORIFICE | FIXED ORIFICE | FIXED ORIFICE | FACT INS 71 | FACT INS 71 |
| RATINGS (COOLING) ① | | | | | | | |
| BTUH (TOTAL) | 32000 | 32200 | 32000 | 32200 | 32200 | 32000 | 33600 |
| BTUH (SENSIBLE) | 23200 | 23400 | 23200 | 23400 | 23400 | 23100 | 25000 |
| INDOOR AIRFLOW (CFM) | 1100 | 1100 | 1100 | 1100 | 1100 | 1100 | 1200 |
| SYSTEM POWER (KW) | 3.52 | 3.52 | 3.52 | 3.52 | 3.52 | 3.52 | 3.69 |
| EER/SEER (BTU/WATT-HR.) | 9.10/10.00 | 9.15/10.00 | 9.10/10.00 | 9.15/10.00 | 9.15/10.00 | 9.10/10.00 | 9.10/10.00 |

| | TXA037C4 | TXA042C4 | TXA043C4 | TXC035C4 | TXC035D4 | TXC036C4 | TXC036D4 |
|----------------------------|-------------|------------|------------|-------------|-------------|-------------|-------------|
| EXPANSION TYPE | FACT INS 71 | CHG TO 71 | CHG TO 71 | FACT INS 71 | FACT INS 71 | FACT INS 71 | FACT INS 71 |
| RATINGS (COOLING) ① | | | | | | | |
| BTUH (TOTAL) | 33600 | 33800 | 34200 | 32000 | 32000 | 33600 | 33600 |
| BTUH (SENSIBLE) | 25000 | 25100 | 26500 | 23100 | 23100 | 25000 | 25000 |
| INDOOR AIRFLOW (CFM) | 1200 | 1200 | 1280 | 1100 | 1100 | 1200 | 1200 |
| SYSTEM POWER (KW) | 3.69 | 3.63 | 3.72 | 3.52 | 3.52 | 3.63 | 3.69 |
| EER/SEER (BTU/WATT-HR.) | 9.10/10.00 | 9.30/10.00 | 9.20/10.00 | 9.10/10.00 | 9.10/10.00 | 9.25/10.00 | 9.10/10.00 |

| | TXC036E5 | TXC037C4 | TXC037E5 | TXC042C4 | TXC043C4 | TXH033A4 | TXH041A4 |
|----------------------------|------------|-------------|------------|------------|------------|------------|------------|
| EXPANSION TYPE | TXV-NB | FACT INS 71 | TXV-NB | CHG TO 71 | CHG TO 71 | CHG TO 71 | CHG TO 71 |
| RATINGS (COOLING) ① | | | | | | | |
| BTUH (TOTAL) | 34600 | 33600 | 34600 | 33800 | 34200 | 32200 | 34800 |
| BTUH (SENSIBLE) | 25900 | 25000 | 26000 | 25100 | 26500 | 24400 | 27500 |
| INDOOR AIRFLOW (CFM) | 1200 | 1200 | 1200 | 1200 | 1280 | 1125 | 1305 |
| SYSTEM POWER (KW) | 3.66 | 3.69 | 3.66 | 3.63 | 3.72 | 3.54 | 3.74 |
| EER/SEER (BTU/WATT-HR.) | 9.45/10.50 | 9.10/10.00 | 9.45/10.50 | 9.30/10.00 | 9.20/10.00 | 9.10/10.00 | 9.30/10.00 |



General Data

2TTB0036A1000A

CONDENSING UNIT WITH AIR HANDLERS

| | TVF036A14 | TWE036C14 | TWE036P13 | TWE042C14 | TWE042P13 | TWG036A14 | TWG037A14 |
|----------------------------|-------------|-------------|------------|------------|------------|-------------|-------------|
| EXPANSION TYPE | FACT INS 71 | FACT INS 71 | TXV-NB | CHG TO 71 | TXV-NB | FACT INS 71 | FACT INS 71 |
| RATINGS (COOLING) ① | | | | | | | |
| BTUH (TOTAL) | 34000 | 33200 | 33600 | 34200 | 34800 | 32400 | 32800 |
| BTUH (SENSIBLE) | 25900 | 25100 | 25000 | 27000 | 27400 | 24200 | 24900 |
| INDOOR AIRFLOW (CFM) | 1200 | 1200 | 1200 | 1280 | 1305 | 1150 | 1200 |
| SYSTEM POWER (KW) | 3.68 | 3.61 | 3.61 | 3.72 | 3.74 | 3.62 | 3.55 |
| EER/SEER (BTU/WATT-HR.) | 9.25/10.00 | 9.20/10.00 | 9.30/10.50 | 9.20/10.00 | 9.30/10.50 | 8.95/10.00 | 9.25/10.00 |

| | TWG042A14 |
|----------------------------|------------|
| EXPANSION TYPE | CHG TO 71 |
| RATINGS (COOLING) ① | |
| BTUH (TOTAL) | 33000 |
| BTUH (SENSIBLE) | 25400 |
| INDOOR AIRFLOW (CFM) | 1235 |
| SYSTEM POWER (KW) | 3.61 |
| EER/SEER (BTU/WATT-HR.) | 9.15/10.00 |



General Data

2TTB0042A1000A

| | |
|-----------------------------------|--------------------|
| OUTDOOR UNIT ①② | 2TTB0042A1000A |
| SOUND RATING (DECIBELS) ②④ | 81 |
| POWER CONNS. — V/PH/Hz ③ | 200/230/1/60 |
| MIN. BRCH. CIR. AMPACITY | 23 |
| BR. CIR. } MAX. (AMPS) | 40 |
| PROT. RTG. } MIN. (AMPS) | 40 |
| COMPRESSOR | CLIMATUFF® |
| NO. USED - NO. SPEEDS | 1 - 1 |
| VOLTS/PH/Hz | 200/230/1/60 |
| R.L. AMPS ⑦ - L.R. AMPS | 17.5 - 92 |
| FACTORY INSTALLED | |
| START COMPONENTS ⑧ | NO |
| INSULATION/SOUND BLANKET | NO |
| COMPRESSOR HEAT | NO |
| OUTDOOR FAN — TYPE | PROPELLER |
| DIA. (IN.) - NO. USED | 19 - 1 |
| TYPE DRIVE - NO. SPEEDS | DIRECT - 1 |
| CFM @ 0.0 IN. W.G. ④ | 2500 |
| NO. MOTORS - HP. | 1 - 1/4 |
| MOTOR SPEED R.P.M. | 1075 |
| VOLTS/PH/Hz | 200/230/1/60 |
| F.L. AMPS | 1.3 |
| OUTDOOR COIL — TYPE | SPINE FIN™ |
| ROWS - F.P.I. | 1 - 24 |
| FACE AREA (SQ. FT.) | 11.32 |
| TUBE SIZE (IN.) | 3/8 |
| REFRIGERANT | R-22 |
| (O.D. UNIT) NP CHR.G. ⑤ | 5/15-LB/OZ |
| FACTORY SUPPLIED | YES |
| LINE SIZE - IN. O.D. GAS ⑥ | 7/8 |
| LINE SIZE - IN. O.D. LIQ. ⑥ | 3/8 |
| FCCV | |
| RESTRICTOR ORIFICE SIZE | 0.075 |
| DIMENSIONS | H X W X D |
| OUTDOOR UNIT CRATED (IN.) | 33.2 X 26.7 X 30.2 |
| UNCRATED | SEE OUTLINE DWG. |
| WEIGHT | |
| SHIPPING (LBS.) | 208 |
| NET (LBS.) | 188 |

- ① CERTIFIED IN ACCORDANCE WITH THE UNITARY AIR-CONDITIONER EQUIPMENT CERTIFICATION PROGRAM WHICH IS BASED ON A.R.I. STANDARD 210/240.
- ② RATED IN ACCORDANCE WITH A.R.I. STANDARD 270.
- ③ CALCULATED IN ACCORDANCE WITH NATIONAL ELECTRIC CODE. ONLY USE HACR CIRCUIT BREAKERS OR FUSES.
- ④ STANDARD AIR - DRY COIL - OUTDOOR
- ⑤ THIS VALUE APPROXIMATE. FOR MORE PRECISE VALUE SEE UNIT NAMEPLATE AND SERVICE INSTRUCTION.
- ⑥ MAX. LINEAR LENGTH: 80 FT WITH RECIPROCATING COMPRESSOR - 60 FT WITH SCROLL. MAX. LIFT - SUCTION 60 FT; MAX LIFT - LIQUID 60 FT. FOR GREATER LENGTH REFER TO REFRIGERANT PIPING SOFTWARE PUB. NO. 32-3312-01.
- ⑦ THE VALUE SHOWN FOR COMPRESSOR RLA ON THE UNIT NAMEPLATE AND ON THIS SPECIFICATION SHEET IS USED TO COMPUTE MINIMUM BRANCH CIRCUIT AMPACITY AND MAXIMUM FUSE SIZE. THE VALUE SHOWN IS THE BRANCH CIRCUIT SELECTION CURRENT.
- ⑧ NO MEANS NO START COMPONENTS
YES MEANS QUICK START KIT COMPONENTS
PTC MEANS POSITIVE TEMPERATURE COEFFICIENT STARTER.
- ⑨ RATED IN ACCORDANCE WITH ARI STANDARD 270/SECTION 5.3.6.



SPLIT SYSTEM



CONDENSING UNIT WITH COOLING COILS

| | CCBB42A4AC | CUBB42A4AC | CUBC42A4AC | TXA042C4 | TXA043C4 | TXA048C4 | TXA049C4 |
|----------------------------|---------------|---------------|---------------|------------|------------|------------|------------|
| EXPANSION TYPE | FIXED ORIFICE | FIXED ORIFICE | FIXED ORIFICE | CHG TO 75 | CHG TO 75 | CHG TO 75 | CHG TO 75 |
| RATINGS (COOLING) ① | | | | | | | |
| BTUH (TOTAL) | 37600 | 37600 | 37600 | 39000 | 39000 | 40500 | 41000 |
| BTUH (SENSIBLE) | 26600 | 26600 | 26600 | 27300 | 28700 | 29500 | 31500 |
| INDOOR AIRFLOW (CFM) | 1200 | 1200 | 1200 | 1200 | 1400 | 1350 | 1535 |
| SYSTEM POWER (KW) | 3.98 | 3.98 | 3.98 | 4.02 | 4.13 | 4.15 | 4.27 |
| EER/SEER (BTU/WATT-HR.) | 9.45/10.00 | 9.45/10.00 | 9.45/10.00 | 9.70/10.00 | 9.45/10.00 | 9.75/10.00 | 9.60/10.00 |

| | TXC036E5 | TXC037E5 | TXC042C4 | TXC043C4 | TXC048C4 | TXC049C4 | TXC054E5 |
|----------------------------|------------|------------|------------|------------|------------|------------|------------|
| EXPANSION TYPE | TXV-NB | TXV-NB | CHG TO 75 | CHG TO 75 | CHG TO 75 | CHG TO 75 | TXV-NB |
| RATINGS (COOLING) ① | | | | | | | |
| BTUH (TOTAL) | 40000 | 40500 | 39000 | 39000 | 40500 | 41000 | 41000 |
| BTUH (SENSIBLE) | 28900 | 30000 | 27300 | 28700 | 29500 | 31500 | 31500 |
| INDOOR AIRFLOW (CFM) | 1280 | 1350 | 1200 | 1400 | 1350 | 1535 | 1535 |
| SYSTEM POWER (KW) | 4.08 | 4.13 | 4.02 | 4.13 | 4.15 | 4.27 | 4.25 |
| EER/SEER (BTU/WATT-HR.) | 9.80/10.50 | 9.80/10.50 | 9.70/10.00 | 9.45/10.00 | 9.75/10.00 | 9.60/10.00 | 9.65/10.50 |

| | TXH041A4 | TXH054A4 |
|----------------------------|------------|------------|
| EXPANSION TYPE | CHG TO 75 | CHG TO 75 |
| RATINGS (COOLING) ① | | |
| BTUH (TOTAL) | 41000 | 43000 |
| BTUH (SENSIBLE) | 30600 | 34100 |
| INDOOR AIRFLOW (CFM) | 1400 | 1575 |
| SYSTEM POWER (KW) | 4.21 | 4.39 |
| EER/SEER (BTU/WATT-HR.) | 9.75/10.00 | 9.80/10.00 |



General Data

2TTB0042A1000A

CONDENSING UNIT WITH AIR HANDLERS

| | TVF036A14 | TWE042C14 | TWE042P13 | TWE048C14 | TWE048P13 | TWG042A14 | TWG048A14 |
|----------------------------|------------|------------|------------|------------|-------------|------------|------------|
| EXPANSION TYPE | CHG TO 75 | CHG TO 75 | TXV-NB | CHG TO 75 | TXV-NB | CHG TO 75 | CHG TO 75 |
| RATINGS (COOLING) ① | | | | | | | |
| BTUH (TOTAL) | 40000 | 40000 | 40500 | 41500 | 43000 | 38500 | 41500 |
| BTUH (SENSIBLE) | 29900 | 29900 | 30300 | 32300 | 34100 | 28300 | 32300 |
| INDOOR AIRFLOW (CFM) | 1350 | 1400 | 1400 | 1555 | 1575 | 1400 | 1555 |
| SYSTEM POWER (KW) | 4.26 | 4.17 | 4.15 | 4.32 | 4.28 | 4.03 | 4.28 |
| EER/SEER (BTU/WATT-HR.) | 9.40/10.00 | 9.60/10.00 | 9.75/10.50 | 9.60/10.00 | 10.05/10.50 | 9.55/10.00 | 9.70/10.00 |

General Data

2TTB0048A1000A

| OUTDOOR UNIT ^{①②} | 2TTB0048A1000A |
|--|--------------------|
| SOUND RATING (DECIBELS) ^{②④} | 82 |
| POWER CONNS. — V/PH/Hz ^③ | 200/230/1/60 |
| MIN. BRCH. CIR. AMPACITY | 26 |
| BR. CIR. } MAX. (AMPS) | 45 |
| PROT. RTG. } MIN. (AMPS) | 40 |
| COMPRESSOR | CLIMATUFF® |
| NO. USED - NO. SPEEDS | 1 - 1 |
| VOLTS/PH/Hz | 200/230/1/60 |
| R.L. AMPS ^⑦ - L.R. AMPS | 19.7 - 105 |
| FACTORY INSTALLED | |
| START COMPONENTS ^⑧ | NO |
| INSULATION/SOUND BLANKET | NO |
| COMPRESSOR HEAT | NO |
| OUTDOOR FAN — TYPE | PROPELLER |
| DIA. (IN.) - NO. USED | 19 - 1 |
| TYPE DRIVE - NO. SPEEDS | DIRECT - 1 |
| CFM @ 0.0 IN. W.G. ^④ | 2500 |
| NO. MOTORS - HP | 1 - 1/4 |
| MOTOR SPEED R.P.M. | 1075 |
| VOLTS/PH/Hz | 200/230/1/60 |
| F.L. AMPS | 1.3 |
| OUTDOOR COIL — TYPE | SPINE FIN™ |
| ROWS - F.P.I. | 1 - 24 |
| FACE AREA (SQ. FT.) | 13.75 |
| TUBE SIZE (IN.) | 3/8 |
| REFRIGERANT | R-22 |
| (O.D. UNIT) NP CHR.G. ^⑤ | 6/13-LB/OZ |
| FACTORY SUPPLIED | YES |
| LINE SIZE - IN. O.D. GAS ^⑥ | 1-1/8 |
| LINE SIZE - IN. O.D. LIQ. ^⑥ | 3/8 |
| FCCV | |
| RESTRICTOR ORIFICE SIZE | 0.080 |
| DIMENSIONS | H X W X D |
| OUTDOOR UNIT CRATED (IN.) | 33.2 X 26.7 X 30.2 |
| UNCRATED | SEE OUTLINE DWG. |
| WEIGHT | |
| SHIPPING (LBS.) | 218 |
| NET (LBS.) | 198 |

- ① CERTIFIED IN ACCORDANCE WITH THE UNITARY AIR-CONDITIONER EQUIPMENT CERTIFICATION PROGRAM WHICH IS BASED ON A.R.I. STANDARD 210/240.
- ② RATED IN ACCORDANCE WITH A.R.I. STANDARD 270.
- ③ CALCULATED IN ACCORDANCE WITH NATIONAL ELECTRIC CODE. ONLY USE HACR CIRCUIT BREAKERS OR FUSES.
- ④ STANDARD AIR - DRY COIL - OUTDOOR
- ⑤ THIS VALUE APPROXIMATE. FOR MORE PRECISE VALUE SEE UNIT NAMEPLATE AND SERVICE INSTRUCTION.
- ⑥ MAX. LINEAR LENGTH: 80 FT WITH RECIPROCATING COMPRESSOR - 60 FT WITH SCROLL. MAX. LIFT - SUCTION 60 FT; MAX LIFT - LIQUID 60 FT. FOR GREATER LENGTH REFER TO REFRIGERANT PIPING SOFTWARE PUB. NO. 32-3312-01.
- ⑦ THE VALUE SHOWN FOR COMPRESSOR RLA ON THE UNIT NAMEPLATE AND ON THIS SPECIFICATION SHEET IS USED TO COMPUTE MINIMUM BRANCH CIRCUIT AMPACITY AND MAXIMUM FUSE SIZE. THE VALUE SHOWN IS THE BRANCH CIRCUIT SELECTION CURRENT.
- ⑧ NO MEANS NO START COMPONENTS
YES MEANS QUICK START KIT COMPONENTS
PTC MEANS POSITIVE TEMPERATURE COEFFICIENT STARTER.
- ⑨ RATED IN ACCORDANCE WITH ARI STANDARD 270/SECTION 5.3.6.



SPLIT SYSTEM



CONDENSING UNIT WITH COOLING COILS

| | CCBB48A4AC | CCBC48A4AC | CCBD60A5AC | CUBB48A4AC | CUBC48A4AC | CUBD48A4AC | CUBD60A5AC |
|---------------------------------------|---------------|---------------|------------|---------------|---------------|---------------|------------|
| EXPANSION TYPE | FIXED ORIFICE | FIXED ORIFICE | TXV-B | FIXED ORIFICE | FIXED ORIFICE | FIXED ORIFICE | TXV-B |
| RATINGS (COOLING) ^① | | | | | | | |
| BTUH (TOTAL) | 42500 | 44000 | 46000 | 42500 | 44000 | 44000 | 46000 |
| BTUH (SENSIBLE) | 29300 | 32700 | 35200 | 29300 | 32700 | 32700 | 35200 |
| INDOOR AIRFLOW (CFM) | 1250 | 1600 | 1725 | 1250 | 1600 | 1600 | 1725 |
| SYSTEM POWER (KW) | 4.59 | 4.81 | 4.97 | 4.59 | 4.81 | 4.81 | 4.97 |
| EER/SEER (BTU/WATT-HR.) | 9.25/10.00 | 9.15/10.00 | 9.25/10.00 | 9.25/10.00 | 9.15/10.00 | 9.15/10.00 | 9.25/10.00 |

| | TXA048C4 | TXA049C4 | TXA050C4 | TXA060C5 | TXA061C5 | TXC048C4 | TXC049C4 |
|---------------------------------------|------------|------------|------------|------------|------------|------------|------------|
| EXPANSION TYPE | CHG TO 80 | CHG TO 80 | CHG TO 80 | TXV-NB | TXV-NB | CHG TO 80 | CHG TO 80 |
| RATINGS (COOLING) ^① | | | | | | | |
| BTUH (TOTAL) | 44000 | 45500 | 45500 | 46000 | 47000 | 44000 | 45500 |
| BTUH (SENSIBLE) | 30900 | 33700 | 33700 | 34600 | 36700 | 30900 | 33700 |
| INDOOR AIRFLOW (CFM) | 1350 | 1600 | 1600 | 1700 | 1760 | 1350 | 1600 |
| SYSTEM POWER (KW) | 4.68 | 4.87 | 4.87 | 4.95 | 5.03 | 4.68 | 4.87 |
| EER/SEER (BTU/WATT-HR.) | 9.40/10.00 | 9.35/10.00 | 9.35/10.00 | 9.30/10.00 | 9.35/10.00 | 9.40/10.00 | 9.35/10.00 |

| | TXC050C4 | TXC054E5 | TXC060C5 | TXC061C5 | TXH054A4 | TXH063P3-A | TXH063P3-B |
|---------------------------------------|------------|------------|------------|------------|------------|------------|------------|
| EXPANSION TYPE | CHG TO 80 | TXV-NB | TXV-NB | TXV-NB | CHG TO 80 | TXV-NB | TXV-NB |
| RATINGS (COOLING) ^① | | | | | | | |
| BTUH (TOTAL) | 45500 | 45500 | 46000 | 47000 | 48000 | 48500 | 48500 |
| BTUH (SENSIBLE) | 33700 | 34500 | 34600 | 36700 | 37400 | 38500 | 38800 |
| INDOOR AIRFLOW (CFM) | 1600 | 1700 | 1700 | 1760 | 1700 | 1800 | 1800 |
| SYSTEM POWER (KW) | 4.87 | 4.92 | 4.95 | 5.03 | 5.08 | 5.11 | 5.11 |
| EER/SEER (BTU/WATT-HR.) | 9.35/10.00 | 9.25/10.00 | 9.30/10.00 | 9.35/10.00 | 9.45/10.00 | 9.50/10.00 | 9.50/10.00 |



General Data

2TTB0048A1000A

CONDENSING UNIT WITH AIR HANDLERS

| | TWE048C14 | TWE048P13 | TWE060C/D15 | TWE060P13 | TWE063P13 | TWG048A14 | TWG060A15 |
|----------------------------|------------|------------|-------------|------------|------------|------------|------------|
| EXPANSION TYPE | CHG TO 80 | TXV-NB | TXV-NB | TXV-NB | TXV-NB | CHG TO 80 | TXV-NB |
| RATINGS (COOLING) ① | | | | | | | |
| BTUH (TOTAL) | 46000 | 47500 | 46000 | 48000 | 47500 | 45500 | 46500 |
| BTUH (SENSIBLE) | 34500 | 36100 | 35800 | 38400 | 35900 | 34100 | 36100 |
| INDOOR AIRFLOW (CFM) | 1600 | 1600 | 1725 | 1800 | 1600 | 1600 | 1740 |
| SYSTEM POWER (KW) | 4.95 | 5.00 | 5.20 | 5.08 | 5.14 | 4.92 | 5.14 |
| EER/SEER (BTU/WATT-HR.) | 9.30/10.00 | 9.50/10.50 | 8.85/10.00 | 9.45/10.50 | 9.25/10.50 | 9.25/10.00 | 9.05/10.00 |



General Data

2TTB0060A1000A

| OUTDOOR UNIT ^{①②} | 2TTB0060A1000A |
|--|------------------|
| SOUND RATING (DECIBELS) ^{②④} | 83 |
| POWER CONNS. — V/PH/Hz ^③ | 200/230/1/60 |
| MIN. BRCH. CIR. AMPACITY | 35 |
| BR. CIR. } MAX. (AMPS) | 60 |
| PROT. RTG. } MIN. (AMPS) | 60 |
| COMPRESSOR | CLIMATUFF® |
| NO. USED - NO. SPEEDS | 1 - 1 |
| VOLTS/PH/Hz | 200/230/1/60 |
| R.L. AMPS ^⑦ - L.R. AMPS | 26.3 - 141 |
| FACTORY INSTALLED | |
| START COMPONENTS ^⑧ | NO |
| INSULATION/SOUND BLANKET | NO |
| COMPRESSOR HEAT | NO |
| OUTDOOR FAN — TYPE | PROPELLER |
| DIA. (IN.) - NO. USED | 23 - 1 |
| TYPE DRIVE - NO. SPEEDS | DIRECT - 1 |
| CFM @ 0.0 IN. W.G. ^④ | 3700 |
| NO. MOTORS - HP | 1 - 1/4 |
| MOTOR SPEED R.P.M. | 825 |
| VOLTS/PH/Hz | 200/230/1/60 |
| F.L. AMPS | 1.9 |
| OUTDOOR COIL — TYPE | SPINE FIN™ |
| ROWS - F.P.I. | 1 - 24 |
| FACE AREA (SQ. FT.) | 18.75 |
| TUBE SIZE (IN.) | 3/8 |
| REFRIGERANT | R-22 |
| (O.D. UNIT) NP CHR.G. ^⑤ | 7/14-LB/OZ |
| FACTORY SUPPLIED | YES |
| LINE SIZE - IN. O.D. GAS ^⑥ | 1-1/8 |
| LINE SIZE - IN. O.D. LIQ. ^⑥ | 3/8 |
| FCCV | |
| RESTRICTOR ORIFICE SIZE | 0.089 |
| DIMENSIONS | H X W X D |
| OUTDOOR UNIT CRATED (IN.) | 38 X 30.1 X 33.8 |
| UNCRATED | SEE OUTLINE DWG. |
| WEIGHT | |
| SHIPPING (LBS.) | 256 |
| NET (LBS.) | 229 |

- ① CERTIFIED IN ACCORDANCE WITH THE UNITARY AIR-CONDITIONER EQUIPMENT CERTIFICATION PROGRAM WHICH IS BASED ON A.R.I. STANDARD 210/240.
- ② RATED IN ACCORDANCE WITH A.R.I. STANDARD 270.
- ③ CALCULATED IN ACCORDANCE WITH NATIONAL ELECTRIC CODE. ONLY USE HACR CIRCUIT BREAKERS OR FUSES.
- ④ STANDARD AIR - DRY COIL - OUTDOOR
- ⑤ THIS VALUE APPROXIMATE. FOR MORE PRECISE VALUE SEE UNIT NAMEPLATE AND SERVICE INSTRUCTION.
- ⑥ MAX. LINEAR LENGTH: 80 FT WITH RECIPROCATING COMPRESSOR - 60 FT WITH SCROLL. MAX. LIFT - SUCTION 60 FT; MAX LIFT - LIQUID 60 FT. FOR GREATER LENGTH REFER TO REFRIGERANT PIPING SOFTWARE PUB. NO. 32-3312-01.
- ⑦ THE VALUE SHOWN FOR COMPRESSOR RLA ON THE UNIT NAMEPLATE AND ON THIS SPECIFICATION SHEET IS USED TO COMPUTE MINIMUM BRANCH CIRCUIT AMPACITY AND MAXIMUM FUSE SIZE. THE VALUE SHOWN IS THE BRANCH CIRCUIT SELECTION CURRENT.
- ⑧ NO MEANS NO START COMPONENTS
YES MEANS QUICK START KIT COMPONENTS
PTC MEANS POSITIVE TEMPERATURE COEFFICIENT STARTER.
- ⑨ RATED IN ACCORDANCE WITH ARI STANDARD 270/SECTION 5.3.6.



SPLIT SYSTEM



CONDENSING UNIT WITH COOLING COILS

| | CCBD60A5AC | CUBD60A5AC | TXA049C4 | TXA050C4 | TXA060C5 | TXA061C5 | TXC049C4 |
|---------------------------------------|------------|------------|------------|------------|------------|------------|------------|
| EXPANSION TYPE | TXV-B | TXV-B | CHG TO 89 | CHG TO 89 | TXV-NB | TXV-NB | CHG TO 89 |
| RATINGS (COOLING) ^① | | | | | | | |
| BTUH (TOTAL) | 56000 | 56000 | 54000 | 54000 | 55000 | 56500 | 54000 |
| BTUH (SENSIBLE) | 41200 | 41200 | 38000 | 38000 | 38400 | 40800 | 38000 |
| INDOOR AIRFLOW (CFM) | 2000 | 2000 | 1675 | 1675 | 1700 | 1800 | 1675 |
| SYSTEM POWER (KW) | 6.22 | 6.22 | 6.00 | 6.00 | 6.04 | 6.17 | 6.00 |
| EER/SEER (BTU/WATT-HR.) | 9.00/10.00 | 9.00/10.00 | 9.00/10.00 | 9.00/10.00 | 9.10/10.00 | 9.15/10.00 | 9.00/10.00 |

| | TXC050C4 | TXC054E5 | TXC054S3 | TXC060C5 | TXC061C5 | TXC065S3 | TXH054A4 |
|---------------------------------------|------------|------------|------------|------------|------------|------------|------------|
| EXPANSION TYPE | CHG TO 89 | TXV-NB | TXV-NB | TXV-NB | TXV-NB | TXV-NB | CHG TO 89 |
| RATINGS (COOLING) ^① | | | | | | | |
| BTUH (TOTAL) | 54000 | 54500 | 54500 | 55000 | 56500 | 57500 | 57500 |
| BTUH (SENSIBLE) | 38000 | 38500 | 38500 | 38400 | 40800 | 42900 | 41400 |
| INDOOR AIRFLOW (CFM) | 1675 | 1700 | 1700 | 1700 | 1800 | 2000 | 1700 |
| SYSTEM POWER (KW) | 6.00 | 6.02 | 6.02 | 6.04 | 6.17 | 6.28 | 6.18 |
| EER/SEER (BTU/WATT-HR.) | 9.00/10.00 | 9.05/10.00 | 9.05/10.00 | 9.10/10.00 | 9.15/10.00 | 9.15/10.00 | 9.30/10.00 |

| | TXH063P3-A | TXH063P3-B |
|---------------------------------------|------------|------------|
| EXPANSION TYPE | TXV-NB | TXV-NB |
| RATINGS (COOLING) ^① | | |
| BTUH (TOTAL) | 58500 | 58500 |
| BTUH (SENSIBLE) | 44600 | 44900 |
| INDOOR AIRFLOW (CFM) | 2000 | 2000 |
| SYSTEM POWER (KW) | 6.32 | 6.29 |
| EER/SEER (BTU/WATT-HR.) | 9.25/10.00 | 9.30/10.50 |

¹See page 17 for combinations with Auxiliary Devices.



General Data

2TTB0060A1000A

CONDENSING UNIT WITH AIR HANDLERS

| | TWE048C14 | TWE048P13 | TWE060P13 | TWE063P13 | TWG048A14 | TWG060A15 |
|----------------------------|------------|------------|------------|------------|------------|------------|
| EXPANSION TYPE | CHG TO 89 | TXV-NB | TXV-NB | TXV-NB | CHG TO 89 | TXV-NB |
| RATINGS (COOLING) ① | | | | | | |
| BTUH (TOTAL) | 55500 | 58000 | 58000 | 58000 | 54000 | 56500 |
| BTUH (SENSIBLE) | 40100 | 42700 | 42700 | 42500 | 37900 | 42100 |
| INDOOR AIRFLOW (CFM) | 1800 | 1800 | 1800 | 1800 | 1625 | 2000 |
| SYSTEM POWER (KW) | 6.20 | 6.27 | 6.27 | 6.44 | 6.00 | 6.38 |
| EER/SEER (BTU/WATT-HR.) | 8.95/10.00 | 9.25/10.00 | 9.25/10.00 | 9.00/10.00 | 9.00/10.00 | 8.85/10.00 |

*See page 17 for combinations with Auxiliary Devices.



Ratings with Auxiliary Devices

COMBINATIONS WITH FAN DELAY RELAY KIT AND/OR TXV KIT

*When models are matched with an indoor air handler or coil that has a flow control check valve or expansion valve flow control, the addition of an indoor fan delay relay and/or TXV kit may increase the system SEER. See charts below for ratings.

| OUTDOOR MODEL | INDOOR MODEL | FAN DELAY KIT | TXV KIT | CFM | SEER | COOLING CAPACITY |
|---------------|--------------|---------------|---------|------|-------|------------------|
| 2TTB0060A10 | CCBC60A4AC | Y | NO | 1675 | 10.00 | 53500 |
| 2TTB0060A10 | CUBC60A4AC | Y | NO | 1675 | 10.00 | 53500 |



Performance Data Cooling

2TTB0030A1

2TTB0030A1 WITH TXA/TXC031C4/D4 AT 1000 CFM

| O.D. D.B. | I.D. W.B. | TOT. CAP. | SENS. CAP. AT ENTERING D.B. TEMP. | | | | TOTAL KW |
|--------------|--------------|--------------|-----------------------------------|------|-------|-------|-------------|
| | | | 72 | 75 | 78 | 80 | |
| 85 | 59 | 25.5 | 21.6 | 24.4 | 26.1* | 26.8* | 2.76 |
| | 63 | 27.6 | 18.1 | 20.9 | 23.6 | 25.4 | 2.83 |
| | 67 | 29.7 | 14.2 | 16.9 | 19.7 | 21.5 | 2.90 |
| | 71 | 32.0 | 10.2 | 12.9 | 15.7 | 17.5 | 2.97 |
| 95 | 59 | 24.8 | 21.3 | 24.0 | 25.6* | 26.2* | 3.00 |
| | 63 | 26.9 | 17.8 | 20.6 | 23.3 | 25.1 | 3.06 |
| | 67 | 29.0 | 13.9 | 16.6 | 19.4 | 21.2 | 3.13 |
| | 71 | 31.2 | 9.9 | 12.7 | 15.4 | 17.2 | 3.21 |
| 105 | 59 | 23.1 | 20.6 | 22.9 | 24.1* | 24.8* | 3.19 |
| | 63 | 25.0 | 17.0 | 19.8 | 22.5 | 24.3 | 3.25 |
| | 67 | 27.0 | 13.1 | 15.9 | 18.6 | 20.4 | 3.32 |
| | 71 | 29.1 | 9.2 | 11.9 | 14.6 | 16.4 | 3.39 |
| 115 | 59 | 21.3 | 19.8 | 21.8 | 22.7* | 23.2* | 3.39 |
| | 63 | 23.1 | 16.3 | 19.0 | 21.7 | 23.2* | 3.44 |
| | 67 | 25.0 | 12.4 | 15.1 | 17.8 | 19.6 | 3.50 |
| | 71 | 26.9 | 8.4 | 11.1 | 13.8 | 15.7 | 3.56 |

CORRECTION FACTORS FOR OTHER AIRFLOWS (MULTIPLY DATA BY FACTOR)

| AIRFLOW | TOTAL CAPACITY | SENSIBLE CAPACITY |
|---------|----------------|-------------------|
| LOW | 0.98 | 0.94 |
| HIGH | 1.02 | 1.05 |

NOTE: ALL TABLES ABOVE ARE AT ARI RATING CONDITIONS RATED WITH 25 FEET OF REFRIGERANT LINES.
 * DRY COIL CONDITION (TOTAL CAPACITY = SENSIBLE CAPACITY)
 TOTAL CAPACITY, COMP. KW AND APP. DEW PT. ARE VALID ONLY FOR WET COIL. ALL TEMPERATURES IN DEGREES F.

CORRECTION FACTORS FOR OTHER COMBINATIONS (MULTIPLY DATA BY FACTOR)

| INDOOR MODEL | | CFM | MBTUH TOT | MBTUH SEN | SYST KW |
|---------------|-------|------|--------------|--------------|------------|
| TXH025A4 | RATED | 900 | 0.96 | 0.92 | 0.98 |
| | LOW | 775 | 0.93 | 0.87 | 0.98 |
| | HIGH | 1025 | 0.98 | 0.97 | 0.97 |
| TXH033A4 | RATED | 1000 | 1.01 | 1.03 | 1.01 |
| | LOW | 875 | 0.99 | 0.97 | 1.02 |
| | HIGH | 1125 | 1.02 | 1.08 | 1.00 |
| CC/CUBA30A4AC | RATED | 1000 | 0.96 | 0.96 | 0.99 |
| | LOW | 875 | 0.94 | 0.91 | 1.00 |
| | HIGH | 1125 | 0.97 | 1.01 | 0.98 |
| CC/CUBB30A4AC | RATED | 1000 | 1.01 | 1.01 | 1.01 |
| | LOW | 875 | 0.99 | 0.95 | 1.02 |
| | HIGH | 1125 | 1.03 | 1.06 | 1.00 |
| TVF030A14 | RATED | 1000 | 1.04 | 1.06 | 1.01 |
| | LOW | 875 | 1.01 | 0.99 | 1.02 |
| | HIGH | 1125 | 1.05 | 1.12 | 1.00 |
| TVF036A14 | RATED | 1100 | 1.07 | 1.11 | 1.05 |
| | LOW | 950 | 1.05 | 1.03 | 1.06 |
| | HIGH | 1250 | 1.08 | 1.18 | 1.04 |
| TWE030C14 | RATED | 900 | 0.98 | 0.95 | 0.97 |
| | LOW | 775 | 0.95 | 0.89 | 0.98 |
| | HIGH | 1025 | 1.00 | 1.01 | 0.96 |
| TWE030P13 | RATED | 900 | 1.03 | 1.00 | 0.98 |
| | LOW | 775 | 1.01 | 0.94 | 0.99 |
| | HIGH | 1025 | 1.05 | 1.06 | 0.97 |
| TWE036C14 | RATED | 1100 | 1.04 | 1.08 | 1.03 |
| | LOW | 950 | 1.02 | 1.01 | 1.04 |
| | HIGH | 1250 | 1.05 | 1.14 | 1.02 |

CORRECTION FACTORS FOR OTHER COMBINATIONS (MULTIPLY DATA BY FACTOR)

| INDOOR MODEL | | CFM | MBTUH TOT | MBTUH SEN | SYST KW |
|-----------------|-------|------|--------------|--------------|------------|
| TWE036P13 | RATED | 1100 | 1.05 | 1.07 | 1.03 |
| | LOW | 950 | 1.03 | 1.01 | 1.04 |
| | HIGH | 1250 | 1.06 | 1.14 | 1.02 |
| TWG030A14 | RATED | 1000 | 0.99 | 1.00 | 0.99 |
| | LOW | 875 | 0.97 | 0.95 | 1.00 |
| | HIGH | 1125 | 1.00 | 1.05 | 0.98 |
| TWG036A14 | RATED | 1100 | 1.03 | 1.07 | 1.02 |
| | LOW | 950 | 1.01 | 1.00 | 1.03 |
| | HIGH | 1250 | 1.04 | 1.13 | 1.01 |
| TWG037A14 | RATED | 1100 | 1.03 | 1.07 | 1.02 |
| | LOW | 950 | 1.01 | 1.00 | 1.03 |
| | HIGH | 1250 | 1.04 | 1.13 | 1.01 |
| TXA/TXC030C4/D4 | RATED | 1000 | 1.00 | 0.99 | 1.01 |
| | LOW | 875 | 0.98 | 0.93 | 1.02 |
| | HIGH | 1125 | 1.02 | 1.04 | 1.00 |
| TXA/TXC031C4/D4 | RATED | 1000 | 1.00 | 1.00 | 1.00 |
| | LOW | 875 | 0.98 | 0.94 | 1.01 |
| | HIGH | 1125 | 1.02 | 1.05 | 0.99 |
| TXA/TXC035C4/D4 | RATED | 1100 | 1.01 | 1.03 | 1.02 |
| | LOW | 950 | 0.99 | 0.97 | 1.03 |
| | HIGH | 1250 | 1.02 | 1.10 | 1.01 |
| TXA/TXC036C4/D4 | RATED | 1100 | 1.04 | 1.06 | 1.03 |
| | LOW | 950 | 1.02 | 0.99 | 1.04 |
| | HIGH | 1250 | 1.05 | 1.13 | 1.02 |
| TXC031E5 | RATED | 1000 | 1.05 | 1.05 | 1.02 |
| | LOW | 875 | 1.03 | 0.99 | 1.03 |
| | HIGH | 1125 | 1.06 | 1.10 | 1.01 |
| TXC036E5 | RATED | 1100 | 1.09 | 1.12 | 1.05 |
| | LOW | 950 | 1.07 | 1.04 | 1.06 |
| | HIGH | 1250 | 1.10 | 1.19 | 1.04 |
| TXC037E5 | RATED | 1100 | 1.09 | 1.12 | 1.05 |
| | LOW | 950 | 1.07 | 1.04 | 1.06 |
| | HIGH | 1250 | 1.10 | 1.19 | 1.04 |



Performance Data Cooling

2TTB0036A1

2TTB0036A1 WITH TXA/TXC036C4/D4 AT 1200 CFM

| O.D. D.B. | I.D. W.B. | TOT. CAP. | SENS. CAP. AT ENTERING D.B. TEMP. | | | | TOTAL KW |
|--------------|--------------|--------------|-----------------------------------|------|-------|-------|-------------|
| | | | 72 | 75 | 78 | 80 | |
| 85 | 59 | 29.8 | 25.7 | 28.9 | 30.7* | 31.4* | 3.24 |
| | 63 | 32.1 | 21.4 | 24.6 | 27.9 | 30.1 | 3.32 |
| | 67 | 34.4 | 16.6 | 19.9 | 23.1 | 25.3 | 3.41 |
| | 71 | 36.9 | 11.7 | 15.0 | 18.3 | 20.5 | 3.50 |
| 95 | 59 | 29.1 | 25.3 | 28.4 | 30.1* | 30.8* | 3.52 |
| | 63 | 31.3 | 21.0 | 24.3 | 27.6 | 29.8 | 3.60 |
| | 67 | 33.6 | 16.3 | 19.6 | 22.8 | 25.0 | 3.69 |
| | 71 | 36.0 | 11.4 | 14.7 | 18.0 | 20.2 | 3.78 |
| 105 | 59 | 27.1 | 24.5 | 27.1 | 28.4* | 29.1* | 3.76 |
| | 63 | 29.2 | 20.1 | 23.4 | 26.7 | 28.9 | 3.84 |
| | 67 | 31.3 | 15.4 | 18.6 | 21.9 | 24.1 | 3.92 |
| | 71 | 33.5 | 10.5 | 13.8 | 17.1 | 19.3 | 4.01 |
| 115 | 59 | 25.1 | 23.6 | 25.6 | 26.7* | 27.3* | 4.00 |
| | 63 | 27.0 | 19.3 | 22.5 | 25.8 | 27.3* | 4.08 |
| | 67 | 29.0 | 14.5 | 17.8 | 21.0 | 23.2 | 4.16 |
| | 71 | 31.1 | 9.7 | 12.9 | 16.2 | 18.4 | 4.24 |

CORRECTION FACTORS FOR OTHER AIRFLOWS (MULTIPLY DATA BY FACTOR)

| AIRFLOW | TOTAL CAPACITY | SENSIBLE CAPACITY |
|---------|----------------|-------------------|
| LOW | 1050 | 0.98 |
| HIGH | 1350 | 1.01 |

NOTE: ALL TABLES ABOVE ARE AT ARI RATING CONDITIONS RATED WITH 25 FEET OF REFRIGERANT LINES.
* DRY COIL CONDITION (TOTAL CAPACITY = SENSIBLE CAPACITY)
TOTAL CAPACITY, COMP. KW AND APP. DEW PT. ARE VALID ONLY FOR WET COIL. ALL TEMPERATURES IN DEGREES F.

CORRECTION FACTORS FOR OTHER COMBINATIONS (MULTIPLY DATA BY FACTOR)

| INDOOR MODEL | | CFM | MBTUH TOT | MBTUH SEN | SYST KW |
|-----------------|-------|------|--------------|--------------|------------|
| TXA/TXC035C4/D4 | RATED | 1100 | 0.94 | 0.92 | 0.95 |
| | LOW | 950 | 0.92 | 0.86 | 0.96 |
| | HIGH | 1250 | 0.96 | 0.96 | 0.94 |
| TXA/TXC036C4/D4 | RATED | 1200 | 1.00 | 1.00 | 1.00 |
| | LOW | 1050 | 0.98 | 0.94 | 1.01 |
| | HIGH | 1350 | 1.01 | 1.05 | 0.99 |
| TXA/TXC037C4 | RATED | 1200 | 1.00 | 1.00 | 1.00 |
| | LOW | 1050 | 0.98 | 0.94 | 1.01 |
| | HIGH | 1350 | 1.01 | 1.05 | 0.99 |
| TXA/TXC042C4 | RATED | 1200 | 1.01 | 1.01 | 0.98 |
| | LOW | 1050 | 0.99 | 0.95 | 0.99 |
| | HIGH | 1350 | 1.02 | 1.07 | 0.97 |
| TXA/TXC043C4 | RATED | 1400 | 1.02 | 1.08 | 1.02 |
| | LOW | 1225 | 1.00 | 1.02 | 1.03 |
| | HIGH | 1575 | 1.03 | 1.15 | 1.01 |
| TXC036E5 | RATED | 1200 | 1.05 | 1.05 | 1.00 |
| | LOW | 1050 | 1.03 | 0.99 | 1.00 |
| | HIGH | 1350 | 1.06 | 1.11 | 0.99 |
| TXC037E5 | RATED | 1200 | 1.05 | 1.05 | 1.00 |
| | LOW | 1050 | 1.03 | 0.99 | 1.00 |
| | HIGH | 1350 | 1.06 | 1.11 | 0.99 |
| TXH033A4 | RATED | 1100 | 0.94 | 0.95 | 0.95 |
| | LOW | 950 | 0.92 | 0.89 | 0.96 |
| | HIGH | 1250 | 0.96 | 1.00 | 0.94 |
| TXH041A4 | RATED | 1400 | 1.04 | 1.11 | 1.02 |
| | LOW | 1225 | 1.02 | 1.04 | 1.03 |
| | HIGH | 1575 | 1.05 | 1.18 | 1.01 |

CORRECTION FACTORS FOR OTHER COMBINATIONS (MULTIPLY DATA BY FACTOR)

| INDOOR MODEL | | CFM | MBTUH TOT | MBTUH SEN | SYST KW |
|---------------|-------|------|--------------|--------------|------------|
| CC/CUBA36A4AC | RATED | 1100 | 0.94 | 0.92 | 0.95 |
| | LOW | 950 | 0.92 | 0.86 | 0.96 |
| | HIGH | 1250 | 0.96 | 0.96 | 0.94 |
| CC/CUBB36A4AC | RATED | 1100 | 0.94 | 0.93 | 0.95 |
| | LOW | 950 | 0.92 | 0.88 | 0.96 |
| | HIGH | 1250 | 0.96 | 0.99 | 0.94 |
| CUBC36A4AC | RATED | 1100 | 0.94 | 0.93 | 0.95 |
| | LOW | 950 | 0.92 | 0.88 | 0.96 |
| | HIGH | 1250 | 0.96 | 0.99 | 0.94 |
| TVF036A14 | RATED | 1200 | 1.01 | 1.03 | 0.99 |
| | LOW | 1050 | 0.99 | 0.97 | 1.00 |
| | HIGH | 1350 | 1.02 | 1.09 | 0.98 |
| TWE036C14 | RATED | 1200 | 0.99 | 1.00 | 0.98 |
| | LOW | 1050 | 0.97 | 0.94 | 0.99 |
| | HIGH | 1350 | 1.00 | 1.05 | 0.97 |
| TWE036P13 | RATED | 1200 | 1.02 | 1.01 | 0.98 |
| | LOW | 1050 | 1.00 | 0.95 | 0.99 |
| | HIGH | 1350 | 1.03 | 1.06 | 0.97 |
| TWE042C14 | RATED | 1400 | 1.02 | 1.10 | 1.02 |
| | LOW | 1225 | 1.01 | 1.03 | 1.03 |
| | HIGH | 1575 | 1.03 | 1.15 | 1.01 |
| TWE042P13 | RATED | 1400 | 1.05 | 1.12 | 1.03 |
| | LOW | 1225 | 1.04 | 1.05 | 1.04 |
| | HIGH | 1575 | 1.06 | 1.19 | 1.02 |
| TWG036A14 | RATED | 1200 | 0.97 | 0.98 | 0.99 |
| | LOW | 1050 | 0.95 | 0.94 | 1.00 |
| | HIGH | 1350 | 0.98 | 1.03 | 0.98 |
| TWG037A14 | RATED | 1200 | 0.97 | 0.99 | 0.96 |
| | LOW | 1050 | 0.96 | 0.94 | 0.97 |
| | HIGH | 1350 | 0.98 | 1.04 | 0.95 |
| TWG042A14 | RATED | 1400 | 0.98 | 1.06 | 0.99 |
| | LOW | 1225 | 0.97 | 1.00 | 1.00 |
| | HIGH | 1575 | 0.99 | 1.11 | 0.98 |



Performance Data Cooling

2TTB0042A1

2TTB0042A1 WITH TXA/TXC042C4 AT 1200 CFM

| O.D. D.B. | I.D. W.B. | TOT. CAP. | SENS. CAP. AT ENTERING D.B. TEMP. | | | | TOTAL KW |
|--------------|--------------|--------------|-----------------------------------|------|-------|-------|-------------|
| | | | 72 | 75 | 78 | 80 | |
| 85 | 59 | 34.4 | 28.0 | 31.3 | 34.5* | 35.4* | 3.50 |
| | 63 | 37.1 | 23.7 | 27.0 | 30.3 | 32.5 | 3.59 |
| | 67 | 40.1 | 18.9 | 22.3 | 25.6 | 27.8 | 3.69 |
| | 71 | 43.1 | 14.0 | 17.4 | 20.7 | 22.9 | 3.80 |
| 95 | 59 | 33.4 | 27.5 | 30.9 | 33.7* | 34.6* | 3.83 |
| | 63 | 36.1 | 23.2 | 26.6 | 29.9 | 32.1 | 3.92 |
| | 67 | 39.0 | 18.5 | 21.8 | 25.1 | 27.4 | 4.02 |
| | 71 | 42.0 | 13.6 | 17.0 | 20.3 | 22.5 | 4.12 |
| 105 | 59 | 30.8 | 26.3 | 29.6 | 31.7* | 32.4* | 4.12 |
| | 63 | 33.3 | 22.0 | 25.4 | 28.7 | 30.9 | 4.20 |
| | 67 | 36.0 | 17.3 | 20.6 | 23.9 | 26.2 | 4.29 |
| | 71 | 38.7 | 12.4 | 15.8 | 19.1 | 21.3 | 4.39 |
| 115 | 59 | 28.1 | 25.1 | 28.0 | 29.5* | 30.2* | 4.41 |
| | 63 | 30.5 | 20.8 | 24.2 | 27.5 | 29.7 | 4.49 |
| | 67 | 32.9 | 16.1 | 19.4 | 22.8 | 25.0 | 4.57 |
| | 71 | 35.5 | 11.3 | 14.6 | 17.9 | 20.1 | 4.65 |

CORRECTION FACTORS FOR OTHER AIRFLOWS (MULTIPLY DATA BY FACTOR)

| | AIRFLOW | TOTAL CAPACITY | SENSIBLE CAPACITY |
|------|---------|----------------|-------------------|
| LOW | 1050 | 0.97 | 0.94 |
| HIGH | 1350 | 1.02 | 1.05 |

NOTE: ALL TABLES ABOVE ARE AT ARI RATING CONDITIONS RATED WITH 25 FEET OF REFRIGERANT LINES.
* DRY COIL CONDITION (TOTAL CAPACITY = SENSIBLE CAPACITY)
TOTAL CAPACITY, COMP. KW AND APP. DEW PT. ARE VALID ONLY FOR WET COIL. ALL TEMPERATURES IN DEGREES F.

CORRECTION FACTORS FOR OTHER COMBINATIONS (MULTIPLY DATA BY FACTOR)

| INDOOR MODEL | | CFM | MBTUH TOT | MBTUH SEN | SYST KW |
|--------------|-------|------|--------------|--------------|------------|
| TXA/TXC048C4 | RATED | 1400 | 1.04 | 1.09 | 1.04 |
| | LOW | 1225 | 1.02 | 1.03 | 1.05 |
| | HIGH | 1575 | 1.05 | 1.16 | 1.03 |
| TXA/TXC049C4 | RATED | 1600 | 1.05 | 1.15 | 1.07 |
| | LOW | 1400 | 1.03 | 1.08 | 1.08 |
| | HIGH | 1800 | 1.06 | 1.22 | 1.06 |
| TXC036E5 | RATED | 1300 | 1.05 | 1.08 | 1.02 |
| | LOW | 1125 | 1.03 | 1.01 | 1.03 |
| | HIGH | 1475 | 1.07 | 1.14 | 1.01 |
| TXC037E5 | RATED | 1400 | 1.06 | 1.12 | 1.04 |
| | LOW | 1225 | 1.04 | 1.05 | 1.05 |
| | HIGH | 1575 | 1.07 | 1.17 | 1.03 |
| TXC054E5 | RATED | 1600 | 1.07 | 1.16 | 1.07 |
| | LOW | 1400 | 1.05 | 1.09 | 1.08 |
| | HIGH | 1800 | 1.08 | 1.23 | 1.06 |
| TXH041A4 | RATED | 1400 | 1.05 | 1.11 | 1.04 |
| | LOW | 1225 | 1.03 | 1.04 | 1.05 |
| | HIGH | 1575 | 1.06 | 1.16 | 1.03 |
| TXH054A4 | RATED | 1600 | 1.11 | 1.22 | 1.09 |
| | LOW | 1400 | 1.09 | 1.15 | 1.10 |
| | HIGH | 1800 | 1.12 | 1.29 | 1.08 |

CORRECTION FACTORS FOR OTHER COMBINATIONS (MULTIPLY DATA BY FACTOR)

| INDOOR MODEL | | CFM | MBTUH TOT | MBTUH SEN | SYST KW |
|---------------|-------|------|--------------|--------------|------------|
| CC/CUBB42A4AC | RATED | 1200 | 0.97 | 0.98 | 0.99 |
| | LOW | 1050 | 0.94 | 0.92 | 1.00 |
| | HIGH | 1350 | 0.99 | 1.03 | 0.98 |
| CU/CUBC42A4AC | RATED | 1200 | 0.97 | 0.98 | 0.99 |
| | LOW | 1050 | 0.94 | 0.92 | 1.00 |
| | HIGH | 1350 | 0.99 | 1.03 | 0.98 |
| TVF036A14 | RATED | 1400 | 1.03 | 1.10 | 1.06 |
| | LOW | 1225 | 1.01 | 1.03 | 1.07 |
| | HIGH | 1575 | 1.04 | 1.15 | 1.05 |
| TWE042C14 | RATED | 1400 | 1.03 | 1.08 | 1.04 |
| | LOW | 1225 | 1.00 | 1.02 | 1.05 |
| | HIGH | 1575 | 1.04 | 1.13 | 1.03 |
| TWE042P13 | RATED | 1400 | 1.06 | 1.11 | 1.04 |
| | LOW | 1225 | 1.04 | 1.04 | 1.05 |
| | HIGH | 1575 | 1.07 | 1.16 | 1.03 |
| TWE048C14 | RATED | 1600 | 1.07 | 1.17 | 1.08 |
| | LOW | 1400 | 1.06 | 1.10 | 1.09 |
| | HIGH | 1800 | 1.08 | 1.23 | 1.07 |
| TWE048P13 | RATED | 1600 | 1.12 | 1.23 | 1.07 |
| | LOW | 1400 | 1.10 | 1.15 | 1.08 |
| | HIGH | 1800 | 1.13 | 1.31 | 1.06 |
| TWG042A14 | RATED | 1400 | 0.99 | 1.03 | 1.00 |
| | LOW | 1225 | 0.97 | 0.97 | 1.01 |
| | HIGH | 1575 | 1.00 | 1.08 | 0.99 |
| TWG048A14 | RATED | 1600 | 1.07 | 1.17 | 1.07 |
| | LOW | 1400 | 1.04 | 1.10 | 1.08 |
| | HIGH | 1800 | 1.08 | 1.23 | 1.06 |
| TXA/TXC042C4 | RATED | 1200 | 1.00 | 1.00 | 1.00 |
| | LOW | 1050 | 0.97 | 0.94 | 1.01 |
| | HIGH | 1350 | 1.02 | 1.05 | 0.99 |
| TXA/TXC043C4 | RATED | 1400 | 1.00 | 1.04 | 1.03 |
| | LOW | 1225 | 0.98 | 0.98 | 1.04 |
| | HIGH | 1575 | 1.01 | 1.09 | 1.01 |



Performance Data Cooling

2TTB0048A1

2TTB0048A1 WITH TXA/TXC049C4 AT 1600 CFM

| O.D. D.B. | I.D. W.B. | TOT. CAP. | SENS. CAP. AT ENTERING D.B. TEMP. | | | | TOTAL KW |
|--------------|--------------|--------------|-----------------------------------|------|-------|-------|-------------|
| | | | 72 | 75 | 78 | 80 | |
| 85 | 59 | 40.4 | 34.7 | 39.0 | 41.6* | 42.6* | 4.20 |
| | 63 | 43.6 | 29.0 | 33.3 | 37.7 | 40.6 | 4.34 |
| | 67 | 47.0 | 22.6 | 27.1 | 31.4 | 34.3 | 4.48 |
| | 71 | 50.4 | 16.2 | 20.6 | 24.9 | 27.9 | 4.63 |
| 95 | 59 | 39.2 | 34.1 | 38.2 | 40.5* | 41.5* | 4.57 |
| | 63 | 42.3 | 28.4 | 32.8 | 37.1 | 40.1 | 4.72 |
| | 67 | 45.5 | 22.1 | 26.4 | 30.8 | 33.7 | 4.87 |
| | 71 | 48.8 | 15.6 | 20.0 | 24.4 | 27.3 | 5.02 |
| 105 | 59 | 36.0 | 32.7 | 36.3 | 37.9* | 38.8* | 4.89 |
| | 63 | 38.9 | 27.0 | 31.3 | 35.7 | 38.6 | 5.04 |
| | 67 | 41.9 | 20.6 | 25.1 | 29.4 | 32.3 | 5.19 |
| | 71 | 45.0 | 14.2 | 18.6 | 23.0 | 25.9 | 5.35 |
| 115 | 59 | 32.8 | 31.3 | 33.8 | 35.1* | 36.0* | 5.21 |
| | 63 | 35.5 | 25.6 | 29.9 | 34.3 | 36.0* | 5.36 |
| | 67 | 38.2 | 19.2 | 23.6 | 28.0 | 30.9 | 5.51 |
| | 71 | 41.1 | 12.8 | 17.2 | 21.6 | 24.5 | 5.67 |

CORRECTION FACTORS FOR OTHER AIRFLOWS (MULTIPLY DATA BY FACTOR)

| AIRFLOW | TOTAL CAPACITY | SENSIBLE CAPACITY |
|---------|----------------|-------------------|
| LOW | 1400 | 0.98 |
| HIGH | 1800 | 1.01 |

* DRY COIL CONDITION (TOTAL CAPACITY = SENSIBLE CAPACITY)
TOTAL CAPACITY, COMP. KW AND APP. DEW PT. ARE VALID ONLY FOR WET COIL. ALL TEMPERATURES IN DEGREES F.

CORRECTION FACTORS FOR OTHER COMBINATIONS (MULTIPLY DATA BY FACTOR)

| INDOOR MODEL | | CFM | MBTUH TOT | MBTUH SEN | SYST KW |
|---------------|-------|------|--------------|--------------|------------|
| CC/CUBB48A4AC | RATED | 1300 | 0.96 | 0.91 | 0.96 |
| | LOW | 1125 | 0.93 | 0.85 | 0.97 |
| | HIGH | 1475 | 0.98 | 0.96 | 0.94 |
| CCB/CUC48A4AC | RATED | 1600 | 0.96 | 0.97 | 0.99 |
| | LOW | 1400 | 0.94 | 0.91 | 1.00 |
| | HIGH | 1800 | 0.97 | 1.01 | 0.98 |
| CCBD/CU60A5AC | RATED | 1800 | 1.03 | 1.07 | 1.03 |
| | LOW | 1575 | 1.01 | 1.00 | 1.05 |
| | HIGH | 2025 | 1.04 | 1.12 | 1.02 |
| CUBD48A4AC | RATED | 1600 | 0.96 | 0.97 | 0.99 |
| | LOW | 1400 | 0.94 | 0.91 | 1.00 |
| | HIGH | 1800 | 0.97 | 1.01 | 0.98 |
| TWE048C14 | RATED | 1600 | 1.01 | 1.02 | 1.02 |
| | LOW | 1400 | 0.99 | 0.96 | 1.03 |
| | HIGH | 1800 | 1.02 | 1.07 | 1.01 |
| TWE048P13 | RATED | 1600 | 1.06 | 1.08 | 1.04 |
| | LOW | 1400 | 1.04 | 1.01 | 1.05 |
| | HIGH | 1800 | 1.07 | 1.14 | 1.03 |
| TWE060C/D15 | RATED | 1800 | 1.03 | 1.08 | 1.08 |
| | LOW | 1575 | 1.02 | 1.01 | 1.09 |
| | HIGH | 2025 | 1.04 | 1.13 | 1.07 |
| TWE060P13 | RATED | 1800 | 1.07 | 1.12 | 1.05 |
| | LOW | 1575 | 1.05 | 1.06 | 1.06 |
| | HIGH | 2025 | 1.08 | 1.19 | 1.04 |
| TWE063P13 | RATED | 1600 | 1.06 | 1.07 | 1.06 |
| | LOW | 1400 | 1.04 | 1.01 | 1.07 |
| | HIGH | 1800 | 1.07 | 1.14 | 1.05 |
| TWG048A14 | RATED | 1600 | 1.00 | 1.01 | 1.01 |
| | LOW | 1400 | 0.98 | 0.95 | 1.02 |
| | HIGH | 1800 | 1.01 | 1.06 | 1.00 |
| TWG060A15 | RATED | 1800 | 1.04 | 1.09 | 1.07 |
| | LOW | 1575 | 1.03 | 1.02 | 1.08 |
| | HIGH | 2025 | 1.05 | 1.14 | 1.06 |

CORRECTION FACTORS FOR OTHER COMBINATIONS (MULTIPLY DATA BY FACTOR)

| INDOOR MODEL | | CFM | MBTUH TOT | MBTUH SEN | SYST KW |
|--------------|-------|------|--------------|--------------|------------|
| TXA/TXC048C4 | RATED | 1400 | 0.97 | 0.94 | 0.97 |
| | LOW | 1225 | 0.94 | 0.89 | 0.98 |
| | HIGH | 1575 | 0.99 | 0.99 | 0.95 |
| TXA/TXC049C4 | RATED | 1600 | 1.00 | 1.00 | 1.00 |
| | LOW | 1400 | 0.98 | 0.94 | 1.01 |
| | HIGH | 1800 | 1.01 | 1.05 | 0.99 |
| TXA/TXC050C4 | RATED | 1600 | 1.00 | 1.00 | 1.00 |
| | LOW | 1400 | 0.98 | 0.94 | 1.01 |
| | HIGH | 1800 | 1.01 | 1.05 | 0.99 |
| TXA/TXC060C5 | RATED | 1700 | 1.03 | 1.03 | 1.03 |
| | LOW | 1475 | 1.01 | 0.97 | 1.04 |
| | HIGH | 1925 | 1.04 | 1.10 | 1.01 |
| TXA/TXC061C5 | RATED | 1800 | 1.05 | 1.09 | 1.04 |
| | LOW | 1575 | 1.04 | 1.03 | 1.05 |
| | HIGH | 2025 | 1.06 | 1.15 | 1.03 |
| TXC054E5 | RATED | 1700 | 1.02 | 1.03 | 1.02 |
| | LOW | 1475 | 1.00 | 0.97 | 1.03 |
| | HIGH | 1925 | 1.03 | 1.09 | 1.01 |
| TXH054A4 | RATED | 1700 | 1.06 | 1.09 | 1.04 |
| | LOW | 1475 | 1.04 | 1.03 | 1.05 |
| | HIGH | 1925 | 1.07 | 1.16 | 1.02 |
| TXH063P3-A | RATED | 1800 | 1.08 | 1.13 | 1.06 |
| | LOW | 1575 | 1.06 | 1.06 | 1.07 |
| | HIGH | 2025 | 1.09 | 1.20 | 1.05 |
| TXH063P3-B | RATED | 1800 | 1.08 | 1.14 | 1.06 |
| | LOW | 1575 | 1.06 | 1.07 | 1.07 |
| | HIGH | 2025 | 1.09 | 1.21 | 1.05 |



Performance Data Cooling

2TTB0060A1

2TTB0060A1 WITH TXA/TXC061C5 AT 1800 CFM

| O.D. D.B. | I.D. W.B. | TOT. CAP. | SENS. CAP. AT ENTERING D.B. TEMP. | | | | TOTAL KW |
|--------------|--------------|--------------|-----------------------------------|------|-------|-------|-------------|
| | | | 72 | 75 | 78 | 80 | |
| 85 | 59 | 51.6 | 42.5 | 47.5 | 51.9* | 53.3* | 5.41 |
| | 63 | 55.4 | 35.9 | 40.9 | 45.9 | 49.3 | 5.57 |
| | 67 | 59.4 | 28.6 | 33.6 | 38.6 | 41.9 | 5.74 |
| | 71 | 63.5 | 21.1 | 26.1 | 31.1 | 34.5 | 5.92 |
| 95 | 59 | 49.1 | 41.3 | 46.4 | 49.9* | 51.2* | 5.85 |
| | 63 | 52.7 | 34.7 | 39.8 | 44.7 | 48.1 | 6.01 |
| | 67 | 56.5 | 27.4 | 32.4 | 37.4 | 40.8 | 6.17 |
| | 71 | 60.4 | 19.9 | 25.0 | 29.9 | 33.3 | 6.35 |
| 105 | 59 | 45.9 | 39.8 | 44.7 | 47.3* | 48.4* | 6.29 |
| | 63 | 49.2 | 33.2 | 38.2 | 43.2 | 46.6 | 6.45 |
| | 67 | 52.7 | 25.9 | 30.9 | 35.9 | 39.2 | 6.61 |
| | 71 | 56.4 | 18.4 | 23.4 | 28.4 | 31.8 | 6.78 |
| 115 | 59 | 42.6 | 38.4 | 42.5 | 44.5* | 45.5* | 6.75 |
| | 63 | 45.7 | 31.7 | 36.7 | 41.7 | 45.1 | 6.89 |
| | 67 | 49.0 | 24.4 | 29.4 | 34.4 | 37.7 | 7.05 |
| | 71 | 52.3 | 16.9 | 22.0 | 26.9 | 30.3 | 7.20 |

CORRECTION FACTORS FOR OTHER AIRFLOWS (MULTIPLY DATA BY FACTOR)

| AIRFLOW | TOTAL CAPACITY | SENSIBLE CAPACITY |
|---------|----------------|-------------------|
| LOW | 1575 | 0.98 |
| HIGH | 2025 | 1.01 |

NOTE: ALL TABLES ABOVE ARE AT ARI RATING CONDITIONS RATED WITH 25 FEET OF REFRIGERANT LINES.
 * DRY COIL CONDITION (TOTAL CAPACITY = SENSIBLE CAPACITY)
 TOTAL CAPACITY, COMP. KW AND APP. DEW PT. ARE VALID ONLY FOR WET COIL. ALL TEMPERATURES IN DEGREES F.

CORRECTION FACTORS FOR OTHER COMBINATIONS (MULTIPLY DATA BY FACTOR)

| INDOOR MODEL | | CFM | MBTUH TOT | MBTUH SEN | SYST KW |
|--------------|-------|------|--------------|--------------|------------|
| TXA/TXC061C5 | RATED | 1800 | 1.00 | 1.00 | 1.00 |
| | LOW | 1575 | 0.98 | 0.95 | 1.01 |
| | HIGH | 2025 | 1.01 | 1.05 | 0.99 |
| TXC054E5 | RATED | 1700 | 0.96 | 0.95 | 0.97 |
| | LOW | 1475 | 0.94 | 0.89 | 0.98 |
| | HIGH | 1925 | 0.98 | 0.99 | 0.96 |
| TXC054S3 | RATED | 1700 | 0.96 | 0.95 | 0.97 |
| | LOW | 1475 | 0.94 | 0.89 | 0.98 |
| | HIGH | 1925 | 0.98 | 0.99 | 0.96 |
| TXC065S3 | RATED | 2000 | 1.02 | 1.05 | 1.02 |
| | LOW | 1750 | 1.00 | 0.98 | 1.03 |
| | HIGH | 2250 | 1.03 | 1.10 | 1.01 |
| TXH054A4 | RATED | 1700 | 1.00 | 1.00 | 0.99 |
| | LOW | 1475 | 0.98 | 0.94 | 1.00 |
| | HIGH | 1925 | 1.02 | 1.06 | 0.98 |
| TXH063P3-A | RATED | 2000 | 1.03 | 1.08 | 1.02 |
| | LOW | 1750 | 1.01 | 1.01 | 1.03 |
| | HIGH | 2250 | 1.04 | 1.14 | 1.01 |
| TXH063P3-B | RATED | 2000 | 1.03 | 1.09 | 1.02 |
| | LOW | 1750 | 1.01 | 1.02 | 1.03 |
| | HIGH | 2250 | 1.04 | 1.15 | 1.01 |

CORRECTION FACTORS FOR OTHER COMBINATIONS (MULTIPLY DATA BY FACTOR)

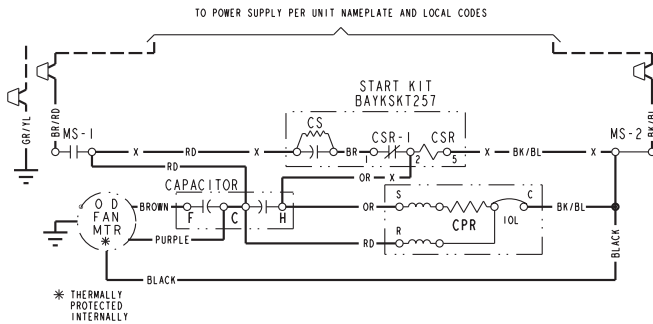
| INDOOR MODEL | | CFM | MBTUH TOT | MBTUH SEN | SYST KW |
|-------------------------|-------|------|--------------|--------------|------------|
| CC/CUBC60A4AC+BAY24X045 | RATED | 1700 | 0.93 | 0.92 | 0.96 |
| | LOW | 1475 | 0.90 | 0.87 | 0.97 |
| | HIGH | 1925 | 0.95 | 0.98 | 0.95 |
| CC/CUBD60A5AC | RATED | 2000 | 0.99 | 1.01 | 1.01 |
| | LOW | 1750 | 0.97 | 0.95 | 1.02 |
| | HIGH | 2250 | 1.00 | 1.06 | 1.00 |
| TWE048C14 | RATED | 1800 | 0.96 | 0.97 | 1.00 |
| | LOW | 1575 | 0.95 | 0.92 | 1.01 |
| | HIGH | 2025 | 0.97 | 1.02 | 0.99 |
| TWE048P13 | RATED | 1800 | 1.03 | 1.04 | 1.02 |
| | LOW | 1575 | 1.00 | 0.98 | 1.03 |
| | HIGH | 2025 | 1.04 | 1.11 | 1.01 |
| TWE060P13 | RATED | 1800 | 1.03 | 1.04 | 1.02 |
| | LOW | 1575 | 1.00 | 0.98 | 1.03 |
| | HIGH | 2025 | 1.04 | 1.11 | 1.01 |
| TWE063P13 | RATED | 1800 | 1.02 | 1.04 | 1.04 |
| | LOW | 1575 | 1.00 | 0.98 | 1.05 |
| | HIGH | 2025 | 1.03 | 1.10 | 1.03 |
| TWG048A14 | RATED | 1600 | 0.94 | 0.92 | 0.96 |
| | LOW | 1400 | 0.92 | 0.87 | 0.97 |
| | HIGH | 1800 | 0.96 | 0.96 | 0.95 |
| TWG060A15 | RATED | 2000 | 1.00 | 1.03 | 1.03 |
| | LOW | 1750 | 0.98 | 0.98 | 1.04 |
| | HIGH | 2250 | 1.01 | 1.08 | 1.02 |
| TXA/TXC049C4 | RATED | 1700 | 0.94 | 0.93 | 0.97 |
| | LOW | 1475 | 0.91 | 0.87 | 0.98 |
| | HIGH | 1925 | 0.96 | 0.98 | 0.96 |
| TXA/TXC050C4 | RATED | 1700 | 0.94 | 0.93 | 0.97 |
| | LOW | 1475 | 0.91 | 0.87 | 0.98 |
| | HIGH | 1925 | 0.96 | 0.98 | 0.96 |
| TXA/TXC060C5 | RATED | 1700 | 0.97 | 0.95 | 0.98 |
| | LOW | 1475 | 0.95 | 0.89 | 0.99 |
| | HIGH | 1925 | 0.99 | 1.00 | 0.97 |

Electrical Data

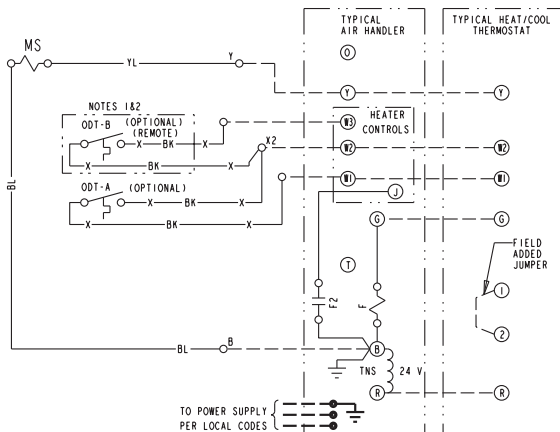
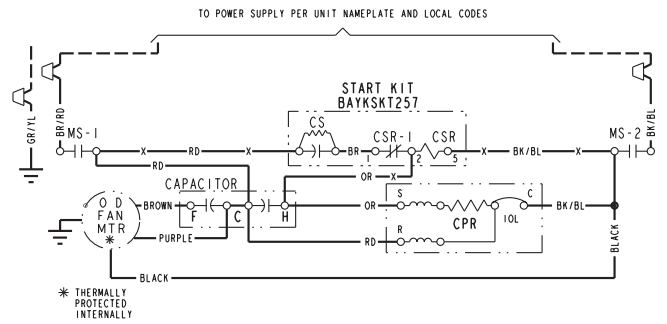
SCHEMATIC DIAGRAMS

(SEE LEGEND)

2TTB0030-048A



2TTB0060A



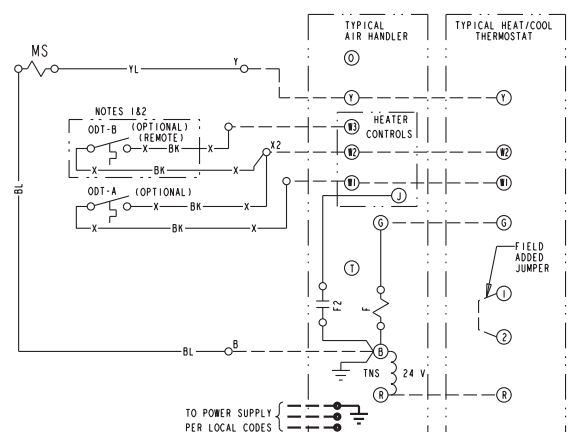
NOTES:

1. IF ODT-B IS NOT USED, ADD JUMPER BETWEEN W2 & W3 AT AIR HANDLER. IF USED, ODT-B MUST BE MOUNTED REMOTE OF CONTROL BOX IN AN APPROVED WEATHER PROOF ENCLOSURE.
2. IF ODT-A IS NOT USED, ADD JUMPER BETWEEN W1 & W2 AT AIR HANDLER.
3. LOW VOLTAGE (24 V.) FIELD WIRING MUST BE 18 AWG MIN.

| | |
|---|--|
| <p>⚠ WARNING HAZARDOUS VOLTAGE! DISCONNECT ALL ELECTRIC POWER INCLUDING REMOTE DISCONNECTS BEFORE SERVICING. FAILURE TO DISCONNECT POWER BEFORE SERVICING CAN CAUSE SEVERE PERSONAL INJURY OR DEATH!</p> | <p>⚠ CAUTION USE COPPER CONDUCTORS ONLY! UNIT TERMINALS ARE NOT DESIGNED TO ACCEPT OTHER TYPES OF CONDUCTORS. FAILURE TO DO SO MAY CAUSE DAMAGE TO THE EQUIPMENT!</p> |
|---|--|

FOR CANADIAN INSTALLATIONS
POUR INSTALLATIONS CANADIENNES

CAUTION: NOT SUITABLE FOR USE ON SYSTEMS EXCEEDING 150V-TO-GROUND.
ATTENTION: NE CONVIENT PAS AUX INSTALLATIONS DE PLUS DE 150 V A LA TERRE.



NOTES:

1. IF ODT-B IS NOT USED, ADD JUMPER BETWEEN W2 & W3 AT AIR HANDLER. IF USED, ODT-B MUST BE MOUNTED REMOTE OF CONTROL BOX IN AN APPROVED WEATHER PROOF ENCLOSURE.
2. IF ODT-A IS NOT USED, ADD JUMPER BETWEEN W1 & W2 AT AIR HANDLER.
3. LOW VOLTAGE (24 V.) FIELD WIRING MUST BE 18 AWG MIN.

| | |
|---|--|
| <p>⚠ WARNING HAZARDOUS VOLTAGE! DISCONNECT ALL ELECTRIC POWER INCLUDING REMOTE DISCONNECTS BEFORE SERVICING. FAILURE TO DISCONNECT POWER BEFORE SERVICING CAN CAUSE SEVERE PERSONAL INJURY OR DEATH!</p> | <p>⚠ CAUTION USE COPPER CONDUCTORS ONLY! UNIT TERMINALS ARE NOT DESIGNED TO ACCEPT OTHER TYPES OF CONDUCTORS. FAILURE TO DO SO MAY CAUSE DAMAGE TO THE EQUIPMENT!</p> |
|---|--|



FOR CANADIAN INSTALLATIONS
POUR INSTALLATIONS CANADIENNES

CAUTION: NOT SUITABLE FOR USE ON SYSTEMS EXCEEDING 150V-TO-GROUND.
ATTENTION: NE CONVIENT PAS AUX INSTALLATIONS DE PLUS DE 150 V A LA TERRE.



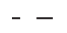

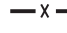
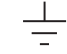



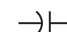
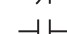






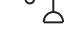
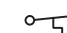


Electrical Data

SCHEMATIC DIAGRAMS

LEGEND

| | | | | | |
|---|-----------------------------|----|--------|----|--------|
|  | COLOR OF WIRE | | | | |
| BK/BL | BLACK WIRE WITH BLUE MARKER | | | | |
|  | COLOR OF MARKER | | | | |
| BK | BLACK | OR | ORANGE | YL | YELLOW |
| BL | BLUE | RD | RED | GR | GREEN |
| BR | BROWN | WH | WHITE | PR | PURPLE |

SYMBOL

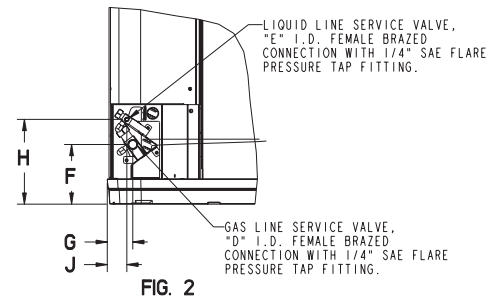
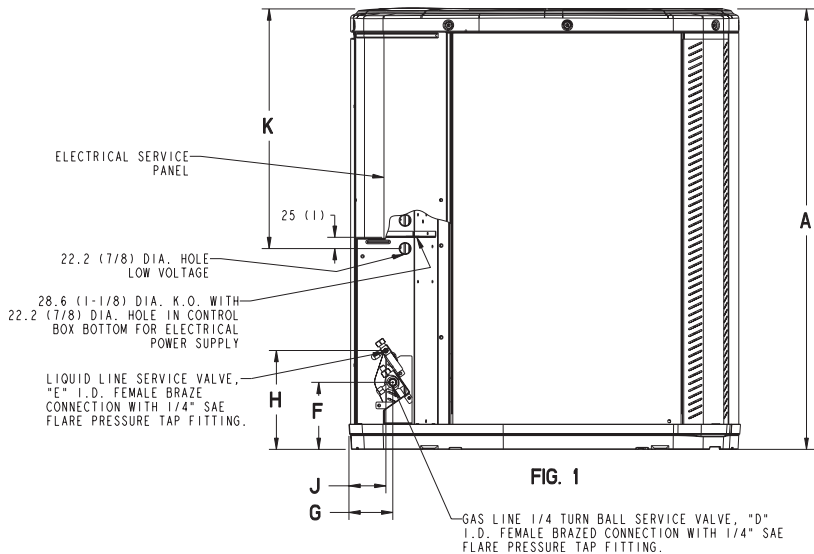
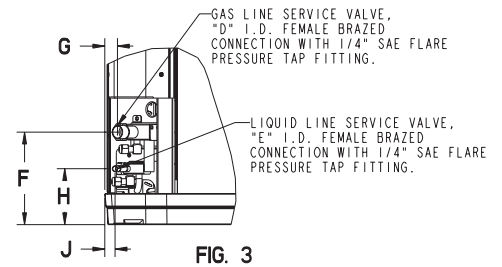
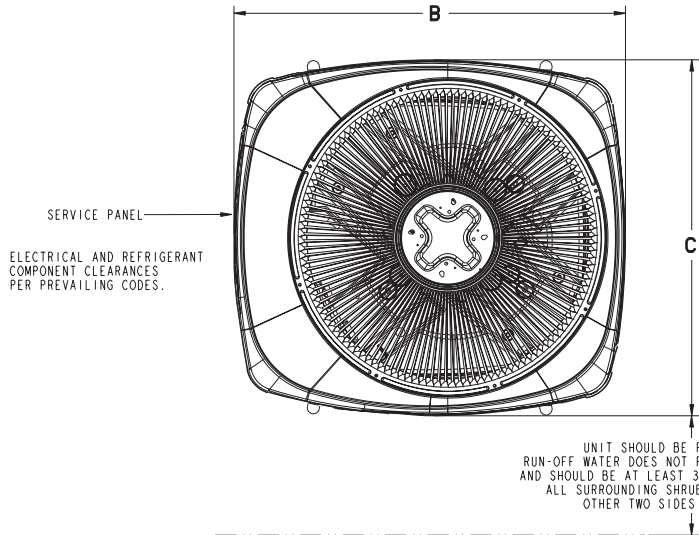
| | | | |
|---|--|---|----------------|
|  | 24 V. | } | FACTORY WIRING |
|  | LINE V. | | |
|  | 24 V. | } | FIELD WIRING |
|  | LINE V. | | |
|  | FIELD INSTALLED FACTORY WIRING | | |
|  | GROUND | | |
|  | JUNCTION | | |
|  | WIRE NUT OR CONNECTOR | | |
|  | COIL | | |
|  | CAPACITOR | | |
|  | RELAY CONTACT (N.O.) | | |
|  | RELAY CONTACT (N.C.) | | |
|  | THERMISTOR | | |
|  | INTERNAL OVERLOAD PROTECTOR | | |
|  | PRESSURE ACTUATED SWITCH | | |
|  | TEMP. ACTUATED SWITCH | | |
|  | POL. PLUG FEMALE HOUSING (MALE TERM.) | | |
|  | POL. PLUG MALE HOUSING (FEMALE TERM.) | | |
|  | RESISTOR OR HEATING ELEMENT | | |
|  | MOTOR WINDING | | |
|  | TERMINAL | | |

| | | | |
|------|-----------------------------|------|----------------------------|
| CA | COOLING ANTICIPATOR | LPCO | LOW PRESSURE CUTOUT SW. |
| CBS | COIL BOTTOM SENSOR | MS | COMPRESSOR MOTOR CONTACTOR |
| CF | FAN CAPACITOR | ODA | OUTDOOR ANTICIPATOR |
| CN | WIRE CONNECTOR | OFT | OUTDOOR FAN THERMOSTAT |
| CPR | COMPRESSOR | ODS | OUTDOOR TEMPERATURE SENSOR |
| CR | RUN CAPACITOR | ODT | OUTDOOR THERMOSTAT |
| CS | STARTING CAPACITOR | RHS | RESISTANCE HEAT SWITCH |
| CSR | CAPACITOR SWITCHING RELAY | SC | SWITCHOVER VALVE SOLENOID |
| DFC | DEFROST CONTROL | SM | SYSTEM "ON-OFF" SWITCH |
| F | INDOOR FAN RELAY | TDL | DISCHARGE LINE THERMOSTAT |
| HA | HEATING ANTICIPATOR | TNS | TRANSFORMER |
| HPCO | HIGH PRESSURE CUTOUT SW. | TS | HEATING-COOLING THERMOSTAT |
| IOL | INTERNAL OVERLOAD PROTECTOR | TSH | HEATING THERMOSTAT |

Dimensions

2TTB0 OUTLINE DRAWING

NOTE: ALL DIMENSIONS ARE IN MM (INCHES)



| MODELS | BASE | FIG. | A | B | C | D | E | F | G | H | J | K |
|-----------|------|------|--------------|--------------|--------------|-------|------|-------------|------------|-------------|------------|----------|
| 2TTB0030A | 2 | 2 | 651 (25-5/8) | 724 (28-1/2) | 651 (25-5/8) | 3/4 | 5/16 | 127 (5) | 57 (2 1/4) | 181 (7-1/8) | 44 (1-3/4) | 457 (18) |
| 2TTB0036A | 2 | 2 | 651 (25-5/8) | 724 (28-1/2) | 651 (25-5/8) | 7/8 | 3/8 | 127 (5) | 57 (2-1/4) | 181 (7-1/8) | 44 (1-3/4) | 457 (18) |
| 2TTB0042A | 2 | 2 | 730 (28-3/4) | 724 (28-1/2) | 651 (25-5/8) | 7/8 | 3/8 | 137 (5-3/8) | 65 (2-5/8) | 210 (8-1/4) | 57 (2-1/4) | 457 (18) |
| 2TTB0048A | 2 | 2 | 730 (28-3/4) | 724 (28-1/2) | 651 (25-5/8) | 1-1/8 | 3/8 | 137 (5-3/8) | 65 (2-5/8) | 210 (8-1/4) | 57 (2-1/4) | 457 (18) |
| 2TTB0060A | 3 | 1 | 832 (32-3/4) | 829 (32-5/8) | 756 (29-3/4) | 1-1/8 | 3/8 | 143 (5-5/8) | 92 (3-5/8) | 210 (8-1/4) | 79 (3-1/8) | 508 (20) |

From Dwg. 21D153074 Rev. 5



Mechanical Specification Options

General

The 2TTB0 shall be fully charged from the factory for matched indoor section and up to 15 feet of piping. This unit must be designed to operate at outdoor ambient temperatures as high as 115°F. Cooling capacities shall be matched with a wide selection of air handlers and furnace coils that are A.R.I. certified. The unit shall be UL listed. Exterior must be designed for outdoor application.

Casing

Unit casing is constructed of heavy gauge, galvanized steel and painted with a weather-resistant powder paint. Corrosion and weatherproof CMBP-G30 Duratuff™ base.

Refrigerant Controls

Refrigeration system controls include condenser fan and compressor contactor. Another standard feature is the liquid line dryer.

Compressor

The Climatuff® compressor features internal over temperature and pressure protector, total dipped hermetic motor and thermostatically controlled sump heater. Other features include: roto lock suction and discharge refrigeration connections, centrifugal oil pump, and low vibration and noise. The Climatuff® compressor is standard with a 5 year limited warranty.

Condenser Coil

The Spine Fin™ coil shall be continuously wrapped, corrosion resistant all aluminum with minimum brazed joints. This coil is 3/8 inch O.D. seamless aluminum glued to a continuous aluminum fin. Coils are lab tested to withstand 2,000 pounds of pressure per square inch. The outdoor coil provides low airflow resistance and efficient heat transfer. The coil is protected on all four sides by louvered panels and has a 5 year limited warranty.

Low Ambient Cooling

As manufactured, this unit has a cooling capability to 55°F. The addition of an evaporator defrost control permits operation to 40°F. The addition of an evaporator defrost control with TXV permits low ambient cooling to 30°F.

Accessories

Thermostats — Heating/Cooling (manual and automatic changeover). Sub-base to match thermostat and locking thermostat cover.

Evaporator Defrost Control — See Low Ambient Cooling.

Outdoor Thermostat — Supplemental heat outdoor ambient lockout from 46 to -10°F.

Notes



The Trane Company
An American Standard Company
www.trane.com

| | | |
|-------------------------|---------------------------------|------|
| Literature Order Number | SS-PRC012-EN | P.I. |
| File Number | — | |
| Supersedes | New | |
| Stocking Location | PI Louisville & Inland-LaCrosse | 4/02 |

Since The Trane Company has a policy of continuous product and product data improvement, it reserves the right to change design and specifications without notice.